



M/V 'DONALD'

Valid as of 22 June 2020

Registration	
Call sign	D5DR2
IMO number	9273791
Port of registry	Monrovia
Flag state	Liberia
Shipyard	Volharding Shipyard
Year/Place of delivery	2006/Hoogezand
Class	American Bureau of Shipping
Class notation	A1, General cargo and Containers carrier, ACCU, RRDA, UWILD, CRC(1), TCM, PMP.
P&I Club	North of England
Tonnage	
Displacement	18590 mt
DWAT	11925 mt (incl. tweendecks)
DWCC	Abt. 10925 mt
Gross tonnage	10899
Net tonnage	5766
Dimensions	
Length over all	156.76 m
Length between p.p.	147.09 m
Breadth over all	21.50 m
Breadth moulded	21.50 m
Summer draught	7.815 m
Depth moulded	9.30 m
Height keel to top mast	42.20 m
Hold/hatch sizes	
Number of holds/hatches	2/2
Holds' capacity	About 18694 m ³ /660172 ft ³
#1 lower hold dimensions	20.25 x 13.00/7.80/2.60 m (narrow fore)
#2 lower hold dimensions	78.00 x 16.90 (narrow aft over 12.75 m) 5.20 m
#1 tween deck dimensions	26.25 x 16.90 x 13.00 /7.80 m
#2 tween deck dimensions	78.00 x 16.90 m
#1 hatch cover dimensions	26.20 x 17.20/13.00 m
#2 hatch cover dimensions	78.00 x 17.20 m
Weather deck dimensions	104.2 x 17.20 m
Hold height	11.89 m
#1 LH -> TD -> Hatch cover	5.18 / 6.09 m
#2 LH -> TD -> Hatch cover	8.47/2.80 m, or 4.68/6.59 m
Hold floor surface	1325 m ²
Deck floor surface	1735 m ²
Total	Abt. 5015 m ²
Container capacity	
Hold capacity	336 TEU
Deck capacity	339 TEU
Total	675 TEU
Stack weight TEU/FEU	Tanktop: 96/122 mt Hatchcovers: 40/60 mt
TEU slots for IMO class 1	64 on deck

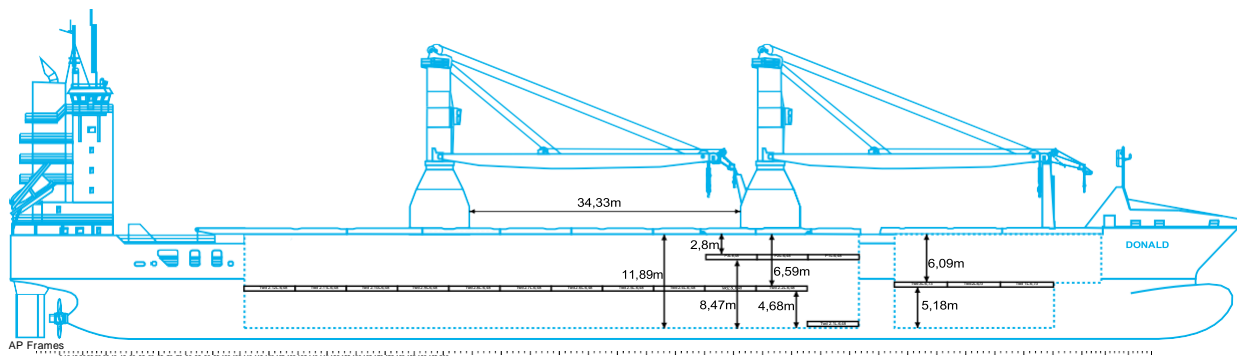
Deck loads	
Tanktop	15.0 mt/m ²
Tween deck	3.0 mt/m ²
Hatch covers	3.5 mt/m ²
Hatch covers/Tween deck	
Type of hatch covers	Hydraulic folding type
#1 tween deck pontoons	3 removable pontoons
#2 tween deck pontoons	12 in one layer, 5 in second layer
Propulsion/Maneuvering	
Main Engine	7200 kW
Bow thruster	650 kW
Propeller	Variable pitch propeller
Rudder	Semi balanced rudder
Service speed	15.0 kn
Bunkers/Ballast capacity	
Heavy fuel oil	718 m ³
Marine gas oil	112 m ³
Lubricating oil	39 m ³
Fresh water	70 m ³
Ballast water	7035 m ³
Cargo gear	
Cranes on port side	2 x Liebherr 240 mt SWL
Load/Outreach	240 mt/5.0-11.0 m 150 mt/5.0-17.0 m 100 mt/5.0-26.0 m 35 mt/5.0-36.5 m
Tandem load	480 mt SWL
Spreader beam on board	1 x 30.0 m, WLL 430 mt
Lifting beams on board	2 x 12.0 m, WLL 250 mt 2x 1.0-6.0 m, WLL 250 mt
Lifting heights	
At 5 .0 m outreach	37.0 m
At 14.0 m outreach	34.2 m
At 17.0 m outreach	32.7 m
At 20.0 m outreach	30.6 m
At 26.0 m outreach	22.9 m
At 33.0 m outreach	12.4 m

All details are believed to be correct but without guarantee/hws.

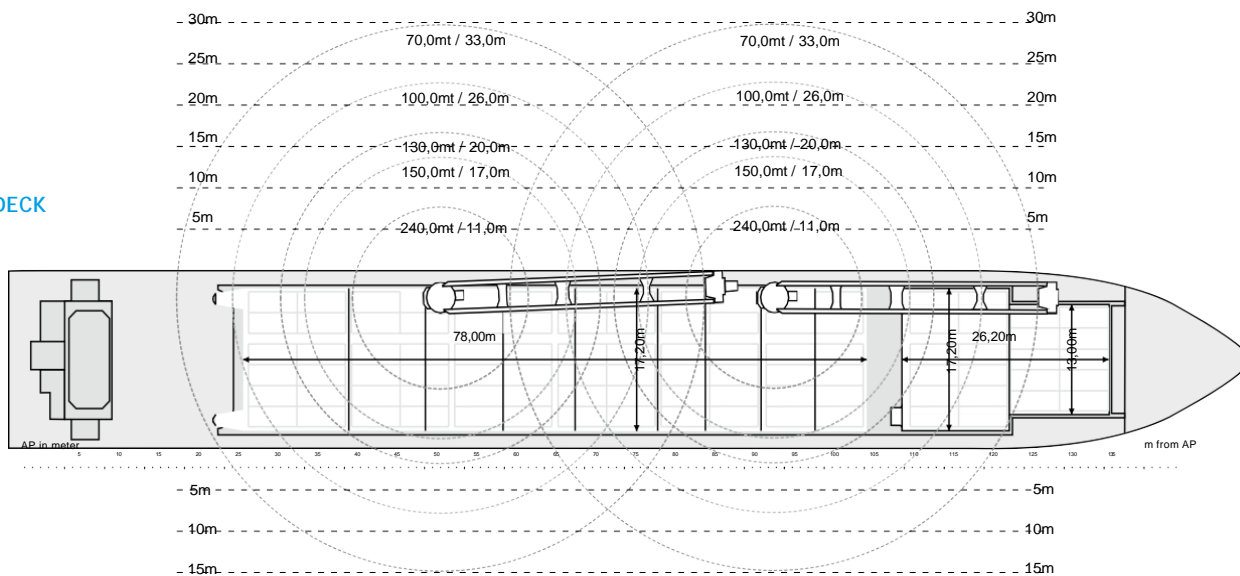
OCEAN7 Projects ApS
Jyllandsgade 19A
DK-7000 Fredericia
Denmark

Phone: +45 7070 1311
E-mail: denmark@ocean7projects.com

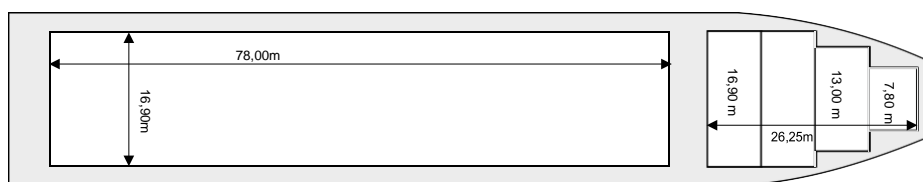
SIDE VIEW



MAIN DECK



TWEENDECK



HOLDS

