



Ship's particulars



M/V 'EMS MIRA'

Valid as of 16 Apr 2025

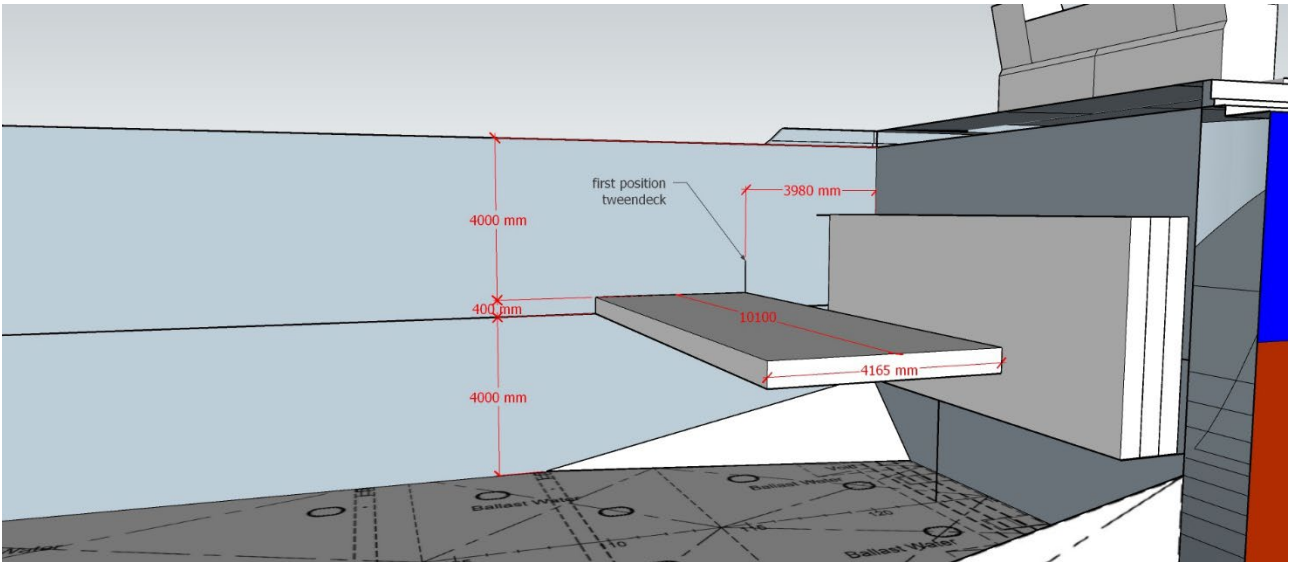
Registration	
Call sign	YLRK
IMO number	9953937
Port of registry	Riga
Flag state	Latvia
Shipyard	Damen Shipyard
Year/Place of delivery	2023/Yichang
Class	Lloyd's Register
Class notation	✕ 100 A1, Tank Top Strength. for Heavy cargoes up to 15 t/m ² , Bottom strength. for Loading/Unlading aground Contr. Cargo in hold/hatch covers, ShipRight AVS(B), LI, ✕ IWS ✕ LMC, UMS, BWTS
P&I Club	Noord Nederlandsche P&I
Tonnage	
DWAT	3.850 mt
DWCC	Abt. 3.500 mt
Gross tonnage	2.518
Net tonnage	1.423
Dimensions	
Length over all	89,70 m
Length between p.p.	84,96 m
Breadth over all	12,51 m
Summer draught	5,47 m
Depth moulded	7,00 m
Height keel to top mast	26,20 m
Hold/hatch sizes	
Number of holds/hatches	1/1
Hold capacity	About 5.250 m ³ /185.400 ft ³
Hold dimension	62,50 x 10,10 m
Tween deck dimensions (4 pcs) (can be positioned anywhere along the hold)	4,17 x 10,10 m
Heigh above/below Tween deck	4,01/4,01 m
Hold height	8,44 m
Container capacity	
Hold capacity	108 TEU
Deck capacity	64 TEU (no reefer)
Total	172 TEU
Stack weight TEU/FEU	Tanktop: 90/120 mt Tween deck: 40/60 mt Hatch Covers: 50/65 mt
TEU slots for IMO class 1	On deck only

Deck loads	
Tank top	15,00 mt/m ²
Tween deck	2,50 mt/m ²
Hatch covers	1,60 mt/m ²
Hatch covers/Tween deck	
Type of hatch covers	10 Pontoons Moveable by own gantry
Bulkheads	2 moveable bulkheads of 4 panels, can be used as tween decks
Propulsion/Maneuvering	
Main Engine	1.104 kW
Bow thruster	280 kW
Propeller	Fixed pitch
Rudder	Balanced
Service speed	9,6 kn
Bunkers/Ballast capacity	
Marine gas oil	225 m ³
MGO day tank	12 m ³
Fresh water	60 m ³
Ballast water	1.325 m ³
Cargo gear	Gearless

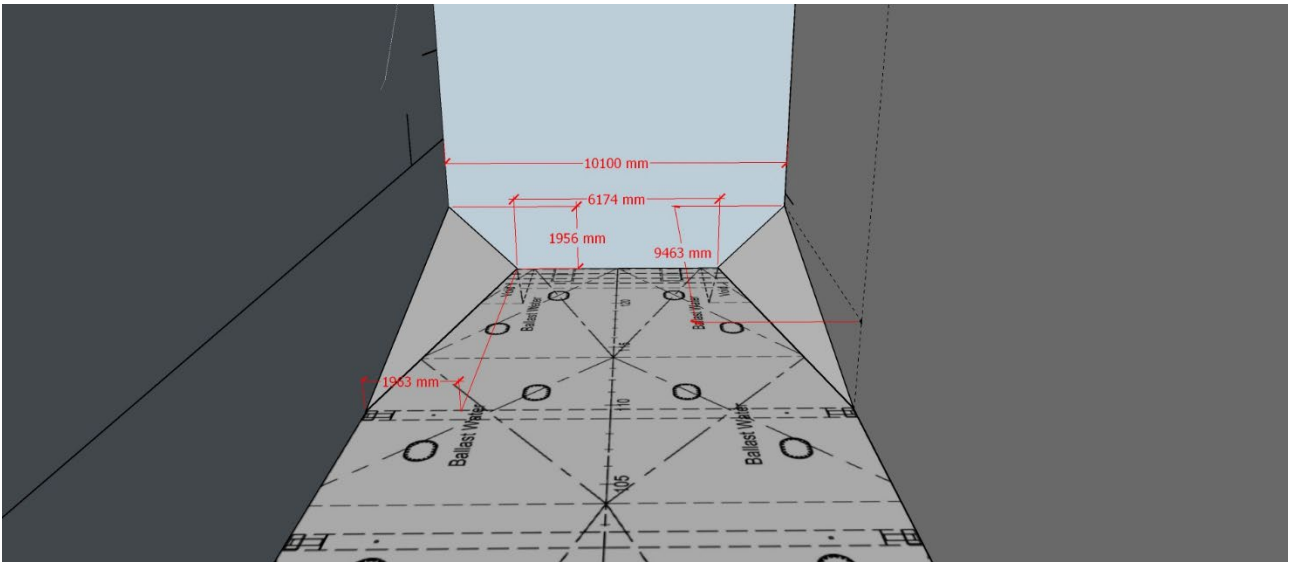
*All details are believed to be correct but
without guarantee/NN*

Phone: +45 70 70 13 11
E-mail: europa@ocean7projects.com
Web: <https://ocean7projects.com>

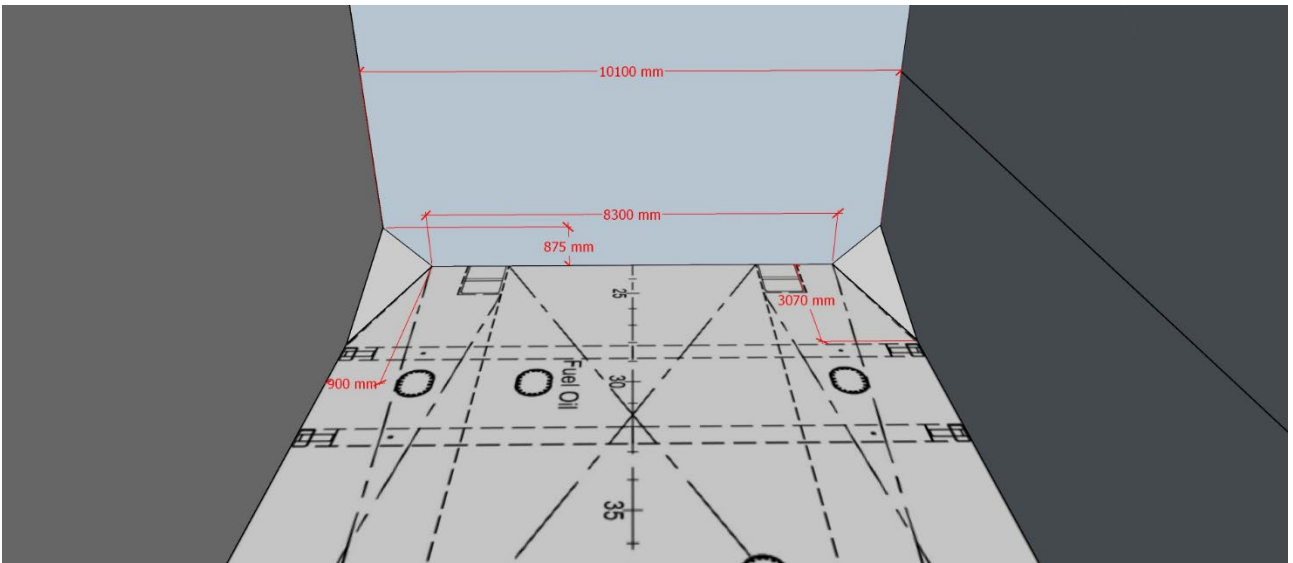
EMS Mira hold side view

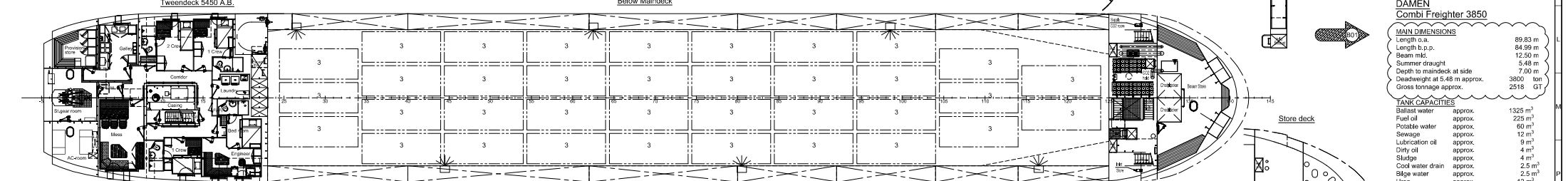
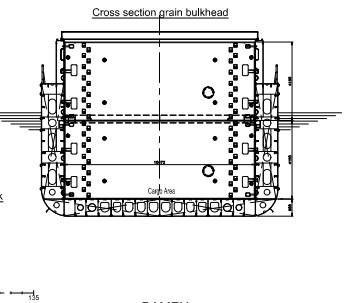
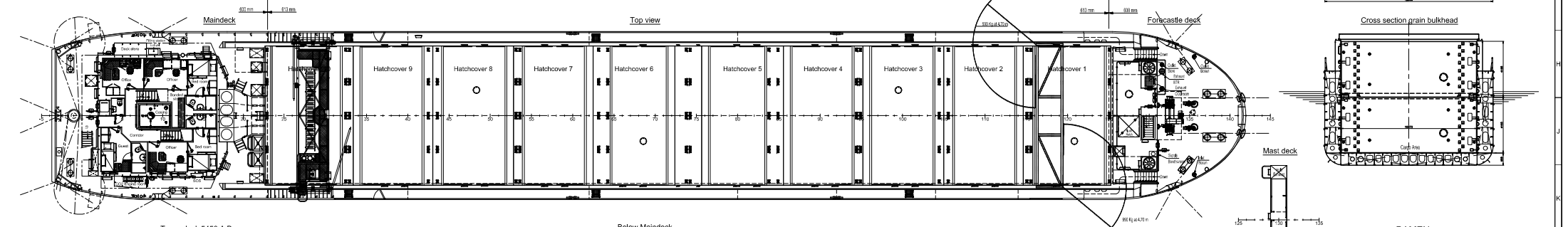
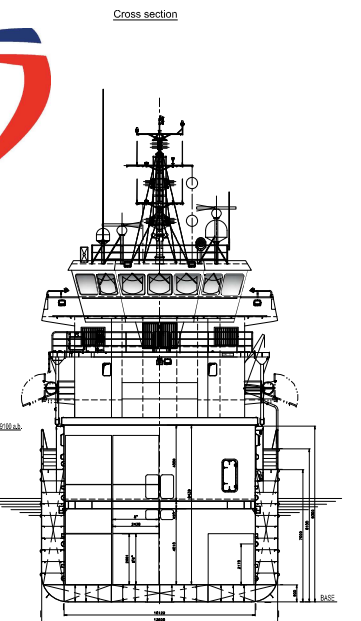
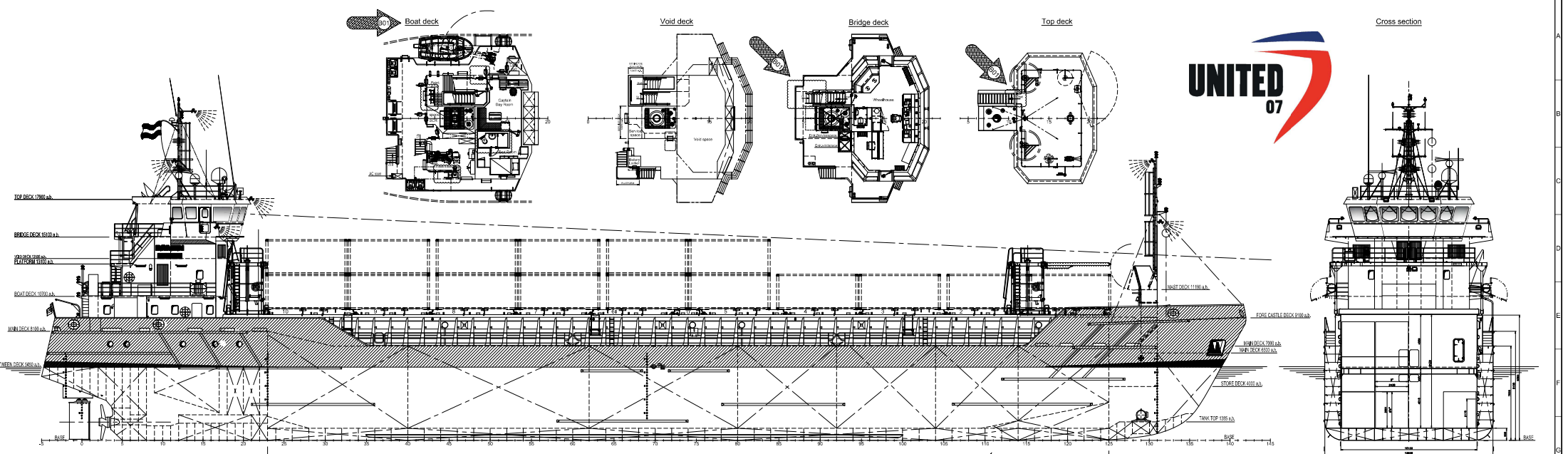


EMS Mira hold aft



EMS Mira hold forward





DAMEN Combi Freighter 3850

MAIN DIMENSIONS

Length o.a.	89.83 m
Length b.p.p.	84.96 m
Beam mkt.	12.50 m
Summer draught	5.48 m
Depth to maindeck at side	7.00 m
Deadweight at 5.48 m approx.	3800 ton
Gross tonnage approx.	2518 GT

TANK CAPACITIES

Ballast water	approx.	1325 m ³
Fuel oil	approx.	225 m ³
Potable water	approx.	60 m ³
Sewage	approx.	12 m ³
Lubrication oil	approx.	9 m ³
Dirty oil	approx.	4 m ³
Sludge	approx.	4 m ³
Cool water drain	approx.	2.5 m ³
Bilge water	approx.	2.5 m ³
Urea	approx.	12 m ³

CARGO CAPACITIES

Hold Capacity	approx.	5250 m ³
Hold Capacity	approx.	16540 cuft
Containers in hold (with dunnage)	108 TEU	
Containers on hatches	64 TEU	
Total		172 TEU

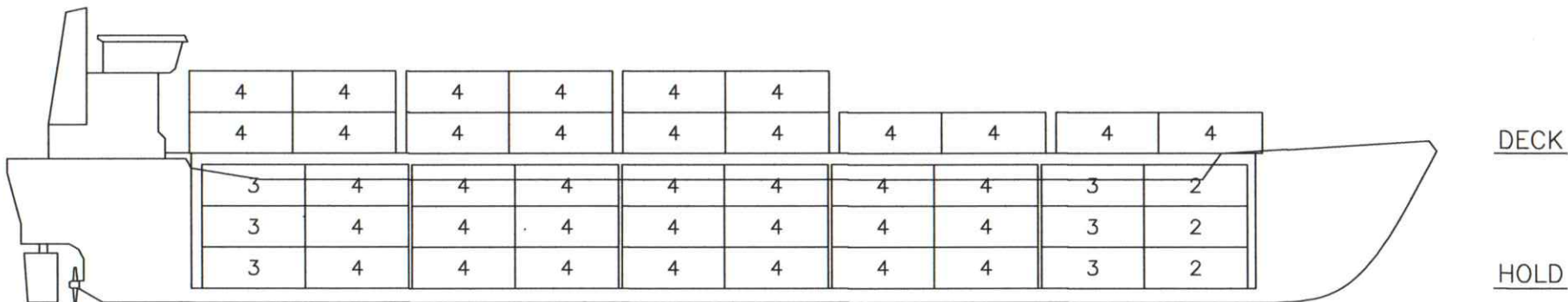
B01 28-10-2021	BBOL	Improvement list updated		
A01 20-10-2021	BBOL	Initially created		
Rev.	Drawn	Checked	Flashed	Issued
Production	AG-J	DAMEN SHIPYARDS GOSPIKHEIM		
Format	A0-J			
Scale	1:100			
Units	mm			

General Arrangement Plan

Doc id:	DRAW-2D	Drawn:	BBOL	Derived from:		Date:	20-10-2021
Project No.:		Function:	000	Sequence:		Checked:	
Yard No.:		Section/Compartment:		Document number:		Sheet:	E01
Rev.:		COMP/PROJ/DAMEN SHIPYARDS GROUP		4810736		1	E01



19	17	15	13	11	09	07	05	03	01	20' BAY NO. AT DECK
18		14		10		06		02		40' BAY NO. AT DECK
03	01	03	01	03	01	03	01	03	01	20' BAY NO. IN HOLD
16		12		08						40' BAY NO. IN HOLD



8	8	8	8	8	8	4	4	4	4	TOTAL	CONTAINER TYPE	
8		8		8		4		4		64	20' (TEU)	ON DECK
										32	40' (FEU)	

9	12	12	12	12	12	12	12	9	6	TOTAL	CONTAINER TYPE	
12		12		12						108	20' (TEU)	IN HOLD
										36	40' (FEU)	