



## M/V 'FREDENSBORG'

Valid as of 13 July 2021

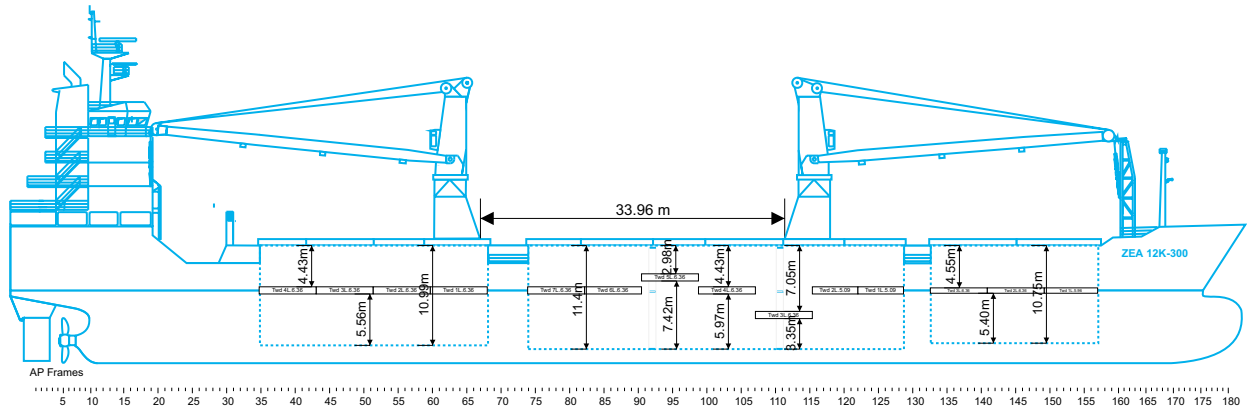
<b>Registration</b>	HSB4733	<b>Deck loads</b>	
Call sign	9465394	Tanktop	16,0 mt/m <sup>2</sup>
IMO number	Bankok	#1 + #2 upper tween deck	2,5 mt/m <sup>2</sup>
Port of registry	Thailand	#2 lower/mid tween deck	4,0 mt/m <sup>2</sup>
Flag state	Sanfu Shipyard	#3 hold	4,0 mt/m <sup>2</sup>
Shipyard	2011/PRC	Hatch covers	1,75 mt/m <sup>2</sup>
Year/Place of delivery	Rina	<b>Hatch covers/Tween deck</b>	
Class	C ✕ General Cargo ship	Type of hatch covers	18 hydr./foldable covers
Class notation	Double side-skin, unrest. Nav. ✕ AUT-UMS, BWM-E – flow- Through, Grabloading, Ice class IA, Inwatersurvey	Tween deck pontoons	3+7+4 = 14 removable panels
<b>P&amp;I Club</b>	Standard Club Ireland DAC	Grain bulkheads made of tween deck panels	2 positions in hold #2
<b>Tonnage</b>		<b>Propulsion/Maneuvering</b>	
DWAT	12.767 mt (summer dw)	Main Engine	5400 kW
DWCC	Abt. 11.800 mt	Bow thruster	500 kW
Gross tonnage	9.627	Shaft generator	760 kW
Net tonnage	4.261	Propeller	Balanced
<b>Dimensions</b>		Rudder	Controllable Pitch Propeller
Length over all	138,53 m	Service speed	15,0 kn
Length between p.p.	130,71 m	<b>Bunkers/Ballast capacity</b>	
Breadth over all	21,00 m	Heavy fuel oil	955 m <sup>3</sup>
Breadth moulded	21,00 m	Marine gas oil	152 m <sup>3</sup>
Summer draught	8,00 m	Fresh water	148 m <sup>3</sup>
Depth moulded	11,00 m	Ballast water	4.932 m <sup>3</sup>
Height keel to top mast	39,38 m	<b>Cargo gear</b>	
<b>Hold/hatch sizes</b>		Cranes on port side	2 x NMF x 150 mt SWL
Number of holds/hatches	3/3	Load/Outreach	150 mt/4,5 – 16,0 m 120 mt/4,5 – 19,0 m 95 mt/4,0 – 24,0 m 70 mt/3,5 – 33,0 m
Hold capacity	About 15.953 m <sup>3</sup> /563.375 ft <sup>3</sup>	Tandem load	300 mt SWL
#1 Hatch coaming/Lower hold	18,72 x 15,00/10,00 m	Lifting beam on board	1 x 18 mtr, 2 x 150 mt WLL
#2 Hatch coaming/Lower hold	42,00 x 17,50 m	Spreader beams on board	2 x 3.2-5.2 mtr, 165 mt WLL 2 x 6,2-8,2 mtr, 165 mt WLL
#3 Hatch coaming/Lower hold	25,50 x 17,50/14,60 m	<b>Lifting heights</b>	
Weather deck dimensions	104,05 x 17,50 m		
#1, #2 and #3 Hold heights	10,75/11,40/10,99 m		
#1 Heights above/below T/D	4,55/5,40 m		
#2 Heights above/below T/D	7,05/3,55 m or 4,43/5,97 m or 2,98/7,42 m		
#3 Heights above/below T/D	4,43/5,56 m		
Loading area under deck	2.856 m <sup>2</sup>		
Loading area on deck	1.463 m <sup>2</sup>		
<b>Container capacity</b>			
Hold capacity	334 TEU		
Deck capacity	331 TEU (50 reefer)		
Total	665 TEU		
Stack weight TEU/FEU	Tanktop: 96/120 mt Hatchcovers: 50/65 mt		
TEU slots for IMO class 1	On deck in front of frame 35 In holds where protected by water spray system		

*All details are believed to be correct but  
without guarantee/HWS*

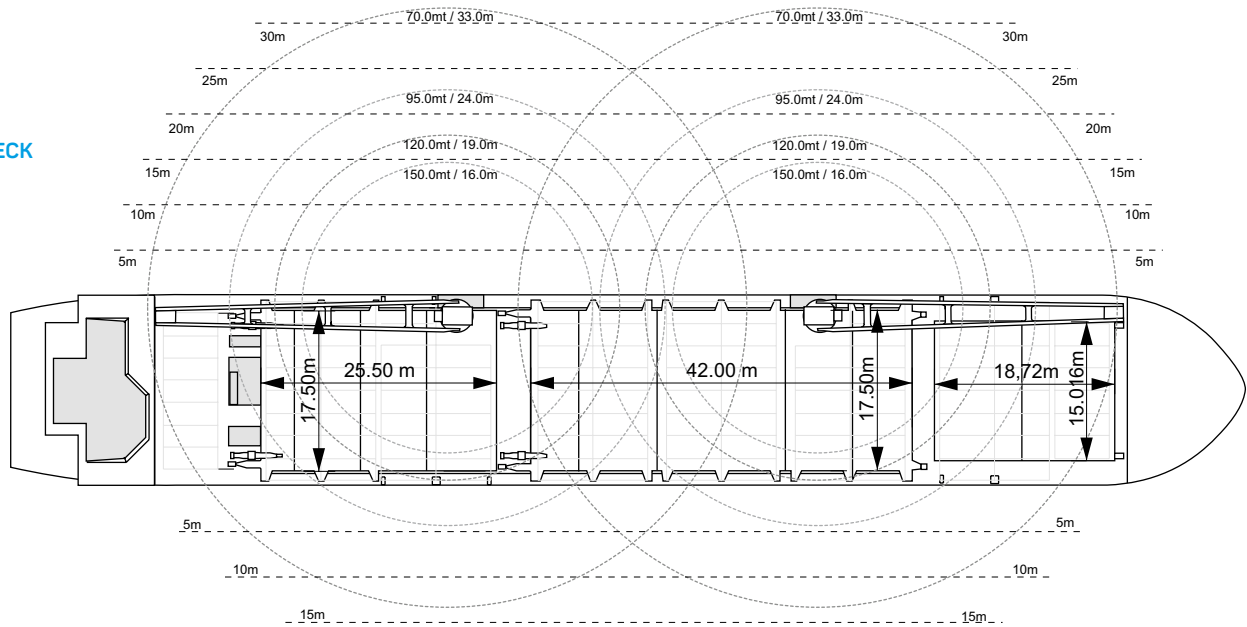
OCEAN7 Projects ApS  
Jyllandsgade 19A  
DK-7000 Fredericia  
Denmark

Phone: +45 7070 1311  
E-mail: europe@ocean7projects.com

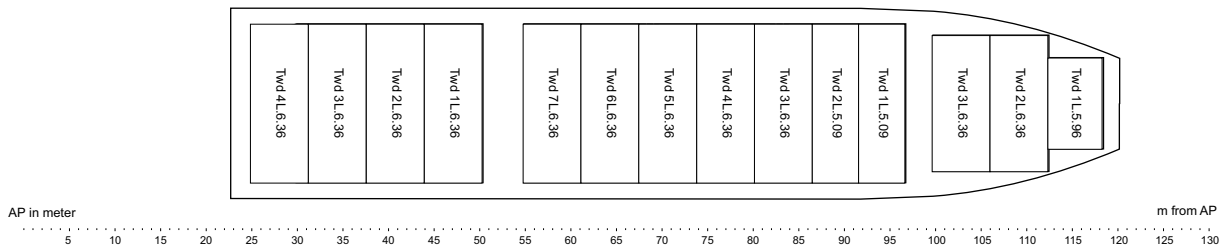
SIDE VIEW



MAIN DECK



TWEENDECK



HOLDS & DOUBLE BOTTOM

