



**M/V 'FREDENSBORG'**

Valid as of 09 Jan 2023

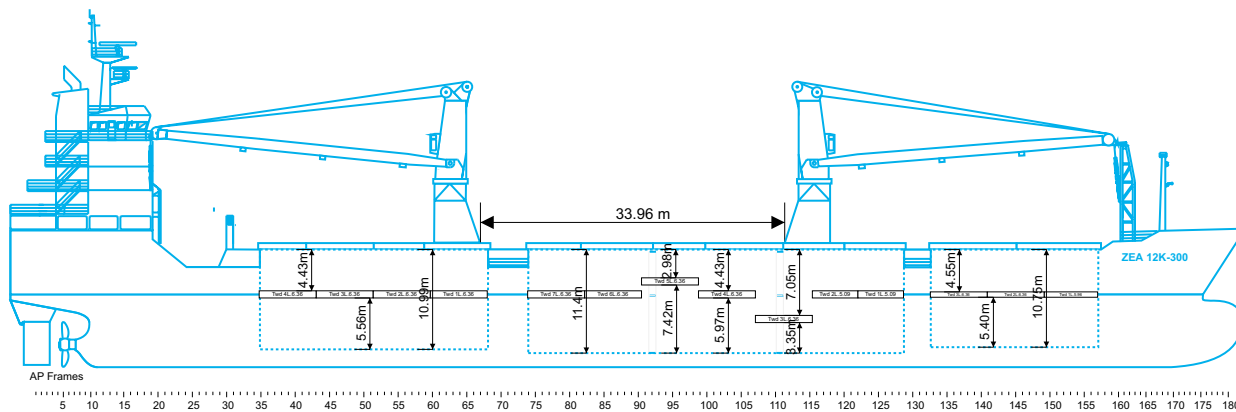
<b>Registration</b>	HSB4733	<b>Deck loads</b>	
Call sign	9465394	Tanktop	16,0 mt/m <sup>2</sup>
IMO number	Bankok	#1 + #2 upper tween deck	2,5 mt/m <sup>2</sup>
Port of registry	Thailand	#2 lower/mid tween deck	4,0 mt/m <sup>2</sup>
Flag state	Sanfu Shipyard	#3 hold	4,0 mt/m <sup>2</sup>
Shipyard	2011/PRC	Hatch covers	1,75 mt/m <sup>2</sup>
Year/Place of delivery	Rina	<b>Hatch covers/Tween deck</b>	
Class	C ✕ General Cargo ship	Type of hatch covers	18 hydr./foldable covers
Class notation	Double side-skin, unrest. Nav. ✕ AUT-UMS, BWM-E – flow- Through, Grabloading, Ice class IA, Inwatersurvey	Tween deck pontoons	3+7+4 = 14 removable panels
<b>P&amp;I Club</b>	Standard Club Ireland DAC	Grain bulkheads made of tween deck panels	2 positions in hold #2
<b>Tonnage</b>		<b>Propulsion/Maneuvering</b>	
DWAT	12.767 mt (summer dw)	Main Engine	5400 kW
DWCC	Abt. 11.800 mt	Bow thruster	500 kW
Gross tonnage	9.627	Shaft generator	760 kW
Net tonnage	4.261	Propeller	Balanced
<b>Dimensions</b>		Rudder	Controllable Pitch Propeller
Length over all	138,53 m	Service speed	15,0 kn
Length between p.p.	130,71 m	<b>Bunkers/Ballast capacity</b>	
Breadth over all	21,00 m	Heavy fuel oil	955 m <sup>3</sup>
Breadth moulded	21,00 m	Marine gas oil	152 m <sup>3</sup>
Summer draught	8,00 m	Fresh water	148 m <sup>3</sup>
Depth moulded	11,00 m	Ballast water	4.932 m <sup>3</sup>
Height keel to top mast	39,38 m	<b>Cargo gear</b>	
<b>Hold/hatch sizes</b>		Cranes on port side	2 x NMF x 150 mt SWL
Number of holds/hatches	3/3	Load/Outreach	150 mt/4,5 – 16,0 m 120 mt/4,5 – 19,0 m 95 mt/4,0 – 24,0 m 70 mt/3,5 – 33,0 m
Hold capacity	About 15.953 m <sup>3</sup> /563.375 ft <sup>3</sup>	Tandem load	300 mt SWL
#1 Hatch coaming/Lower hold	18,72 x 15,00/10,00 m	Lifting beam on board	1 x 18 mtr, 2 x 150 mt WLL 1 x 12 mtr, 300 mt WLL
#2 Hatch coaming/Lower hold	42,00 x 17,50 m	Spreader beams on board	2 x 3.2-5.2 mtr, 165 mt WLL 2 x 6,2-8,2 mtr, 165 mt WLL
#3 Hatch coaming/Lower hold	25,50 x 17,50/14,60 m	<b>Lifting heights</b>	
Weather deck dimensions	104,05 x 17,50 m		
#1, #2 and #3 Hold heights	10,75/11,40/10,99 m		
#1 Heights above/below T/D	4,55/5,40 m		
#2 Heights above/below T/D	7,05/3,55 m or 4,43/5,97 m or 2,98/7,42 m		
#3 Heights above/below T/D	4,43/5,56 m		
Loading area under deck	2.856 m <sup>2</sup>		
Loading area on deck	1.463 m <sup>2</sup>		
<b>Container capacity</b>			
Hold capacity	334 TEU		
Deck capacity	331 TEU (50 reefer)		
Total	665 TEU		
Stack weight TEU/FEU	Tanktop: 96/120 mt Hatchcovers: 50/65 mt		
TEU slots for IMO class 1	On deck in front of frame 35 In holds where protected by water spray system		

*All details are believed to be correct but  
without guarantee/HWS*

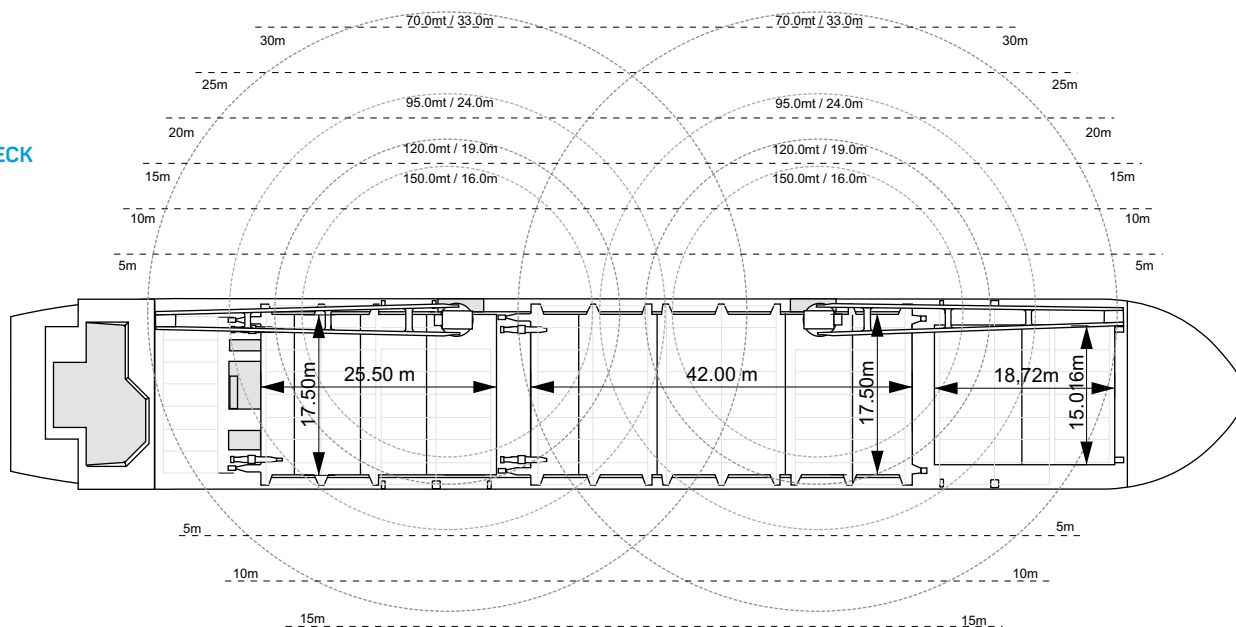
OCEAN7 Projects ApS  
Jyllandsgade 19A  
DK-7000 Fredericia  
Denmark

Phone: +45 7070 1311  
E-mail: europe@ocean7projects.com

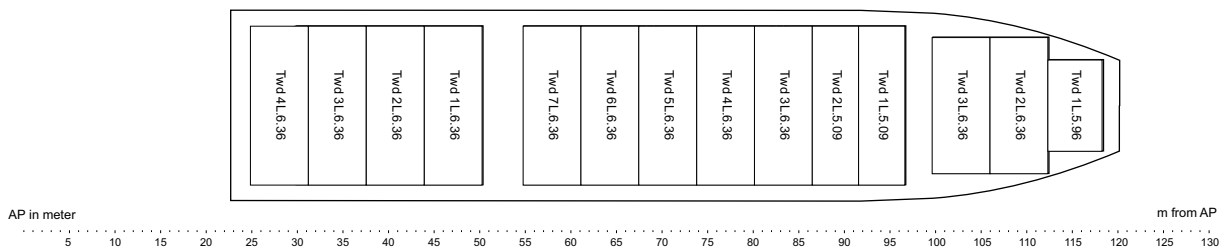
**SIDE VIEW**



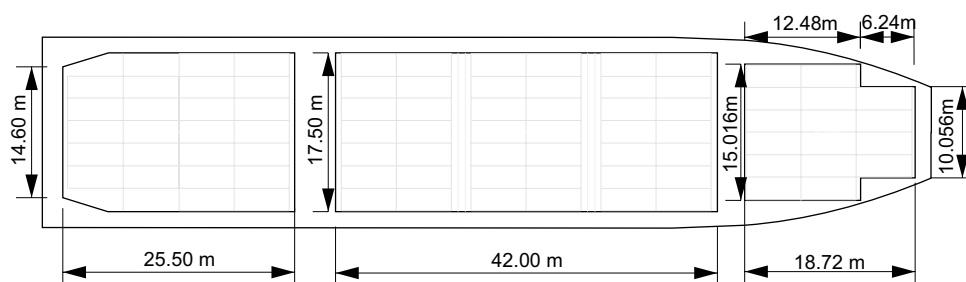
**MAIN DECK**



**TWEENDECK**

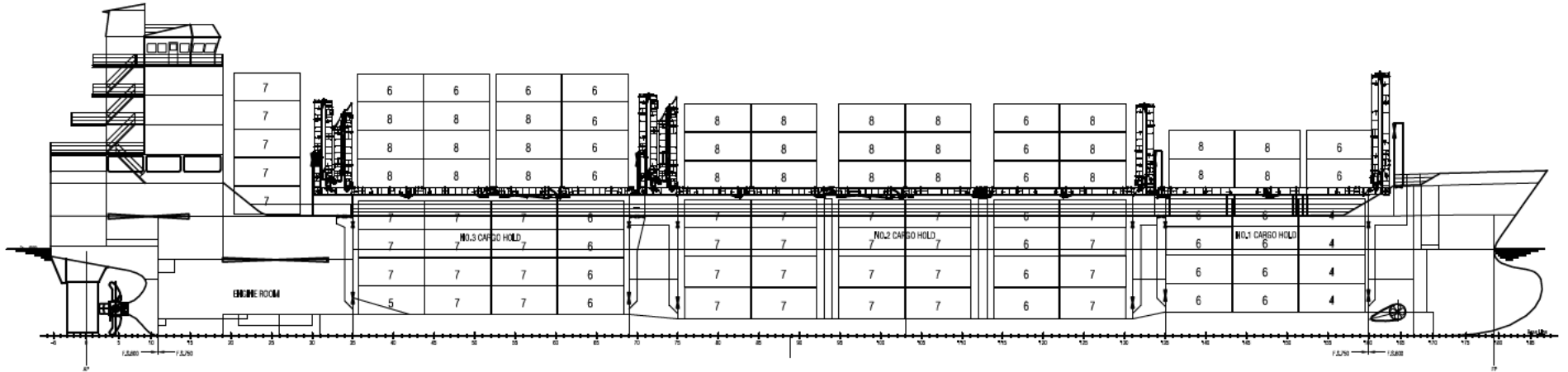


**HOLDS & DOUBLE BOTTOM**



27	25	23	21	19	17	15	13	11	09	07	05	03	01
	24		20		16		12		08		04	02	

BAY NO. (20'CONT.)  
BAY NO. (40'CONT.)



35	30	30	30	24	24	24	24	18	24	16	16	12
	30		24(8)		24		24		24		16	
	26	28	28	24	28	28	28	24	28	24	24	16
	26(2)		24		28		28		28	24	16(8)	

DECK 20' TOTAL TEU 331  
DECK 40' TOTAL FEU 142 (6)

HOLD 20' TOTAL TEU 334  
HOLD 40' TOTAL FEU gr2 158 (18)  
HOLD 40' TOTAL FEU gr1 150 (34)

TOTAL TEU 665  
TOTAL FEU 300 (24)

