



M/V 'GAJA'

Valid as of 19 Jul 2022

Registration

Call sign V2HP4
IMO number 9273791
Port of registry St. John's
Flag state Antigua and Barbuda
Shipyard Volharding Shipyard
Year/Place of delivery 2006/Hoogezand
Class DNV
Class notation \times 100 A% Multi-purpose dry Cargo ship Equip. for carr. of Contr. DBC Solas-II-2, Reg.19 IW Strength. For heavy cargo
 \times MC AUT TMON(oil lub.)

P&I Club Gard P&I

Tonnage

Displacement 18590 mt
DWAT 11925 mt (incl. tweendecks)
DWCC Abt. 10925 mt
Gross tonnage 10899
Net tonnage 5766

Dimensions

Length over all 156.76 m
Length between p.p. 147.09 m
Breadth over all 21.50 m
Breadth moulded 21.50 m
Summer draught 7.815 m
Depth moulded 9.30 m
Height keel to top mast 42.20 m

Hold/hatch sizes

Number of holds/hatches 2/2
Holds' capacity About 18.694 m³/660.172 ft³
#1 lower hold dimensions 20.25 x 13.00/7.80/2.58 m (narrow fore)
#2 lower hold dimensions 78.00 x 16.90 (narrow aft over 12.75 m) 5.20 m
#1 tween deck dimensions 26.25 x 16.90 x 13.00 /7.80 m
#2 tween deck dimensions 78.00 x 16.90 m
#1 hatch cover dimensions 26.20 x 17.35/13.45 m
#2 hatch cover dimensions 78.00 x 17.35 m
Weather deck dimensions 104.2 x 17.35 m
Hold height 11.89 m
#1 LH -> TD -> Hatch cover 5.18 / 6.09 m
#2 LH -> TD -> Hatch cover 8.47/2.80 m, or 4.68/6.59 m
Hold floor surface 1325 m²
Deck floor surface 1735 m²
Total Abt. 3060 m²

Container capacity

Hold capacity 336 TEU (60 in hold #1)
Deck capacity 339 TEU
Total 675 TEU
Stack weight TEU/FEU Tanktop: 96/122 mt
Hatchcovers: 40/60 mt

TEU slots for IMO class 1

Class 1.1 – 1.6 on deck and hold # 1
Class 1.4S on deck and holds

Deck loads

Tanktop 15.0 mt/m²
Tween deck 3.0 mt/m²
Hatch covers 3.5 mt/m²

Hatch covers/Tween deck

Type of hatch covers Hydraulic folding type
#1 tween deck pontoons 3 removable pontoons
#2 tween deck pontoons 12 in one layer, 5 in second layer

Propulsion/Maneuvering

Main Engine 7200 kW
Bow thruster 650 kW

Propeller Variable pitch propeller
Rudder Semi balanced rudder
Service speed 15.0 kn

Bunkers/Ballast capacity

Heavy fuel oil 718 m³
Marine gas oil 112 m³
Lubricating oil 39 m³
Fresh water 70 m³
Ballast water 7035 m³

Cargo gear

Cranes on port side 2 x Liebherr 240 mt SWL
Load/Outreach 240 mt/5.0-11.0 m
150 mt/5.0-17.0 m
100 mt/5.0-26.0 m
35 mt/5.0-36.5 m
Tandem load 480 mt SWL
Spreader beam on board 1 x 30.0 m, WLL 430 mt
Lifting beams on board 2 x 12.0 m, WLL 250 mt
2x 1.0-6.0 m, WLL 250 mt

Lifting heights

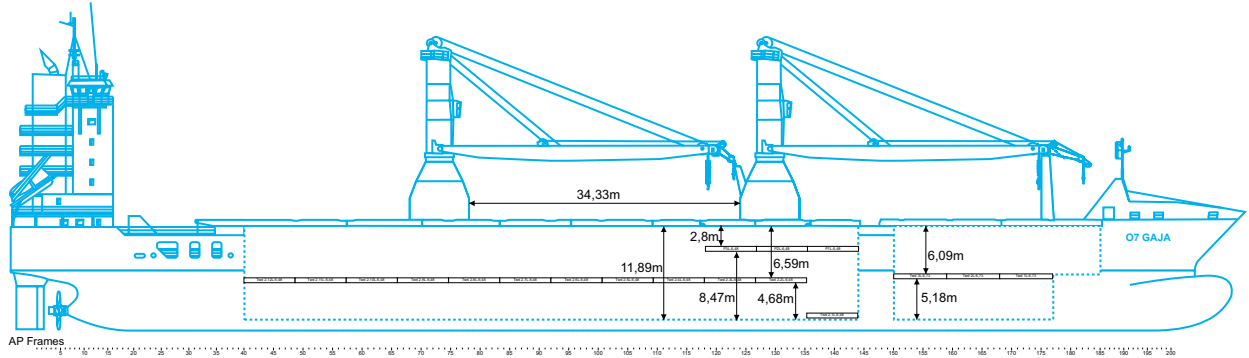
At 5 .0 m outreach 37.0 m
At 14.0 m outreach 34.2 m
At 17.0 m outreach 32.7 m
At 20.0 m outreach 30.6 m
At 26.0 m outreach 22.9 m
At 33.0 m outreach 12.4 m

All details are believed to be correct but without guarantee/hws.

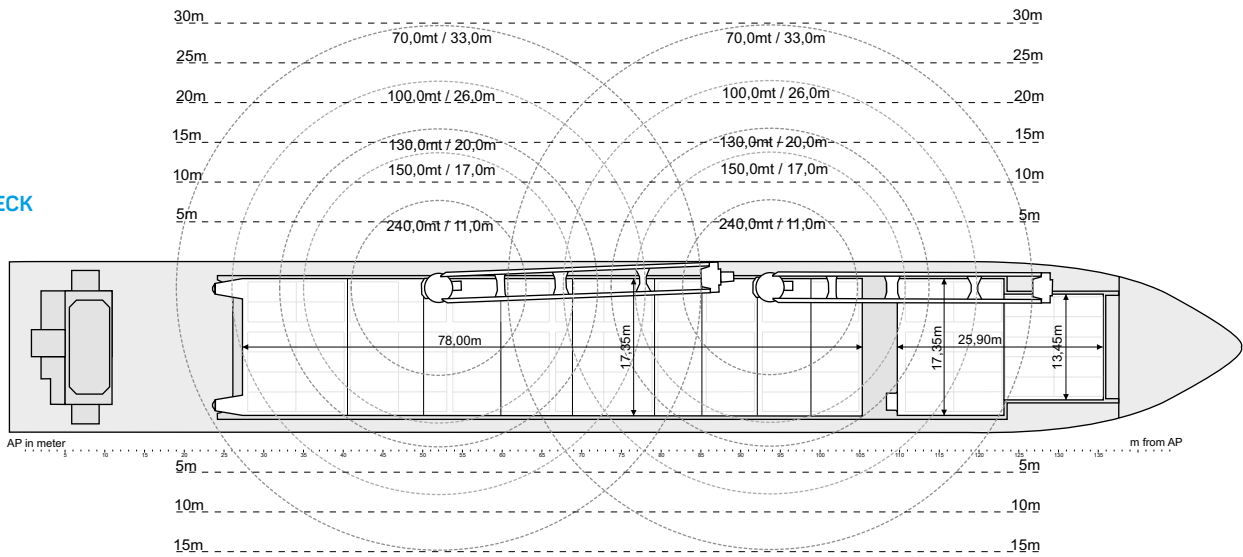
OCEAN7 Projects ApS
Jyllandsgade 19A
DK-7000 Fredericia
Denmark

Phone: +45 7070 1311
E-mail: denmark@ocean7projects.com

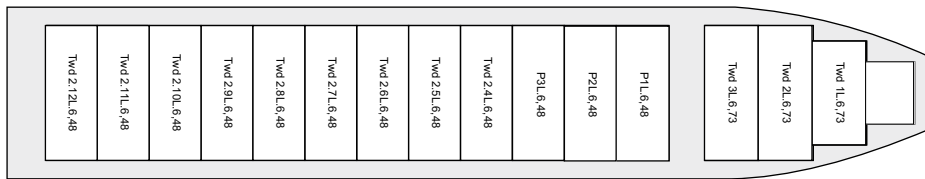
SIDE VIEW



MAIN DECK



TWEENDECK



HOLDS & DOUBLE BOTTOM

