



M/V 'O7 GAJA'

Valid as of 31 Aug 2023

Registration

Call sign V2HP4
 IMO number 9273791
 Port of registry St. John's
 Flag state Antigua and Barbuda
 Shipyard Volharding Shipyard
 Year/Place of delivery 2006/Hoogezand
 Class DNV
 Class notation ☒ 100 A5 Multi-purpose dry cargo ship Equip. for carr. of contr. DBC Solas-II-2, Reg.19 IW Strength. For heavy cargo
 ✕ MC AUT TMON(oil lub.)

P&I Club Gard P&I

Tonnage

Displacement 18590 mt
 DWAT 11925 mt (incl. tweendecks)
 DWCC Abt. 10925 mt
 Gross tonnage 10899
 Net tonnage 5766

Dimensions

Length over all 156.76 m
 Length between p.p. 147.09 m
 Breadth over all 21.80 m
 Breadth moulded 21.50 m
 Summer draught 7.815 m
 Depth moulded 9.30 m
 Height keel to top mast 42.20 m

Hold/hatch sizes

Number of holds/hatches 2/2
 Holds' capacity About 18.694 m³/660.172 ft³
 #1 lower hold dimensions 20.25 x 13.00/7.80/2.58 m (narrow fore)
 #2 lower hold dimensions 78.00 x 16.90 (narrow aft over 12.75 m) 5.20 m
 #1 tween deck dimensions 26.25 x 16.90 x 13.00 /7.80 m
 #2 tween deck dimensions 78.00 x 16.90 m
 #1 hatch cover dimensions 26.20 x 17.35/13.45 m
 #2 hatch cover dimensions 78.00 x 17.35 m
 Weather deck dimensions 104.2 x 17.35 m
 Hold height 11.89 m
 #1 LH -> TD -> Hatch cover 5.18 / 6.09 m
 #2 LH -> TD -> Hatch cover 8.47/2.80 m, or 4.68/6.59 m
 Hold floor surface 1325 m²
 Deck floor surface 1735 m²
 Total Abt. 3060 m²

Container capacity

Hold capacity 336 TEU (60 in hold #1)
 Deck capacity 339 TEU
 Total 675 TEU
 Stack weight TEU/FEU Tanktop: 96/122 mt
 Hatchcovers: 40/60 mt

TEU slots for IMO class 1 Class 1.1 – 1.6 on deck and hold # 1
 Class 1.4S on deck and holds

Deck loads

Tanktop 15.0 mt/m²
 Tween deck 3.0 mt/m²
 Hatch covers 3.5 mt/m²

Hatch covers/Tween deck

Type of hatch covers Hydraulic folding type
 #1 tween deck pontoons 3 removable pontoons
 #2 tween deck pontoons 12 in one layer, 5 in second layer

Propulsion/Maneuvering

Main Engine 7200 kW
 Bow thruster 650 kW
 Propeller Variable pitch propeller
 Rudder Semi balanced rudder
 Service speed 15.0 kn

Bunkers/Ballast capacity

Heavy fuel oil 680 m³
 Marine gas oil 82 m³
 Lubricating oil 39 m³
 Fresh water 76 m³
 Ballast water 7035 m³

Cargo gear

Cranes on port side 2 x Liebherr 240 mt SWL
 Load/Outreach 240 mt/5.0-11.0 m
 150 mt/5.0-17.0 m
 100 mt/5.0-26.0 m
 35 mt/5.0-36.5 m
 Tandem load 480 mt SWL
 Spreader beam on board 1 x 30.0 m, WLL 430 mt
 Lifting beams on board 2 x 12.0 m, WLL 250 mt
 2x 1.0-6.0 m, WLL 250 mt

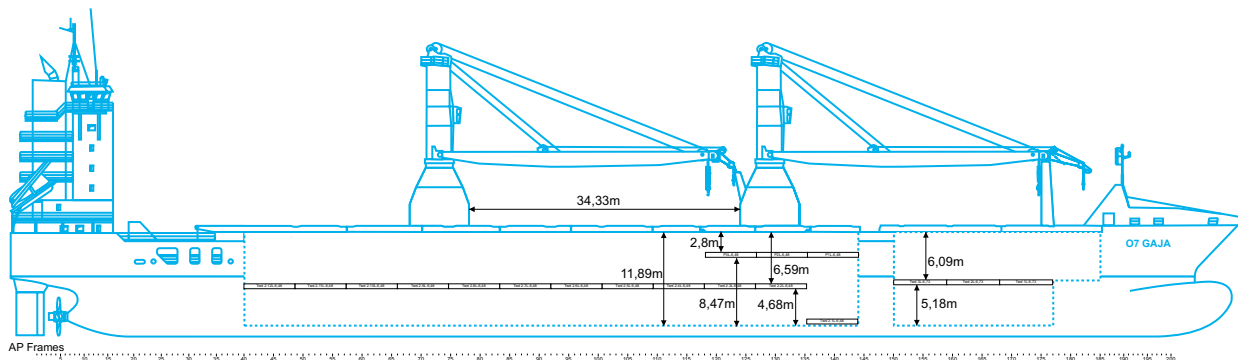
Lifting heights

At 5 .0 m outreach 37.0 m
 At 14.0 m outreach 34.2 m
 At 17.0 m outreach 32.7 m
 At 20.0 m outreach 30.6 m
 At 26.0 m outreach 22.9 m
 At 33.0 m outreach 12.4 m

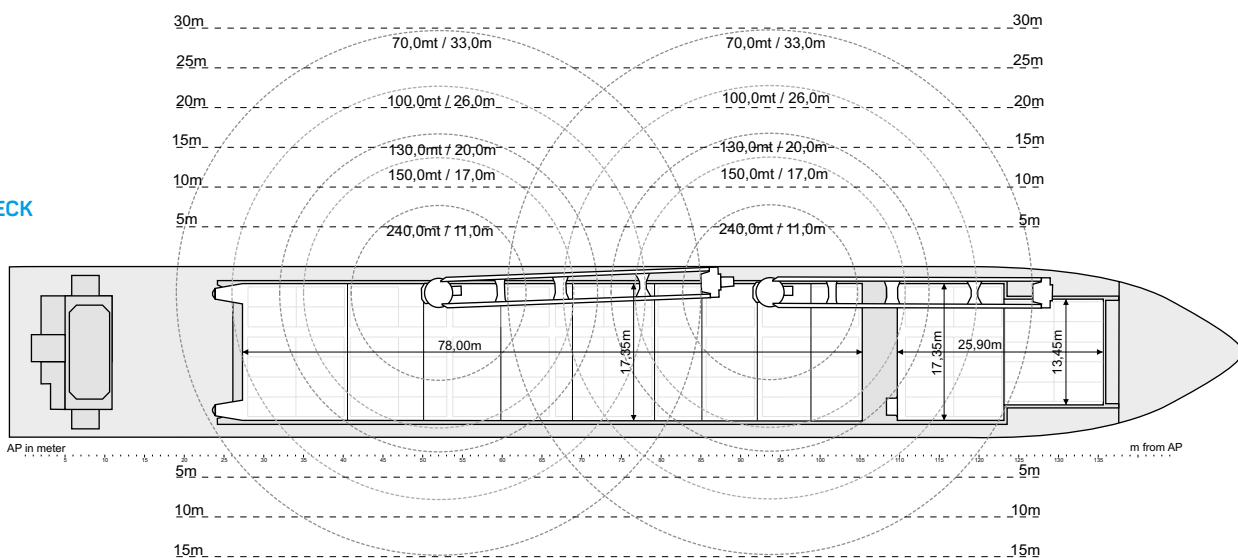
All details are believed to be correct but without guarantee/hws.

Phone: +45 70 70 13 11
 E-mail: europe@ocean7projects.com
 Web: ocean7projects.com

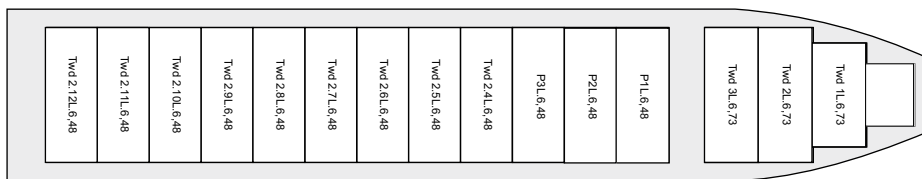
SIDE VIEW



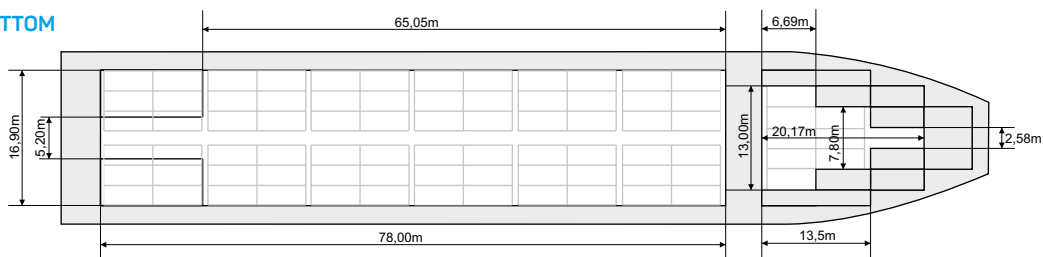
MAIN DECK



TWEENDECK



HOLDS & DOUBLE BOTTOM



PROFILE

