



**M/V 'HR REVOLUTION'**

Valid as of 25 May 2020

**Registration**  
Call sign D5AH2  
IMO number 9267742  
Port of registry Monrovia  
Flag state Liberia  
Shipyard Volharding Shipyards  
Year/Place of delivery 2005/Hoogezand  
Class DNV-GL  
Class notation I ⊗ 100 A5 Multi-Purpose  
DC-ship Equipped for carriage  
of cont. DBC SOLAS-II-2,  
Reg.19 ERS IW Strengthened  
for heavy cargo ⊗ MC AUT  
P&I Club Skuld

**Tonnage**  
Displacement 15550 mt  
DWAT 9992 mt (incl. Tween decks)  
DWCC Abt. 9000 mt  
Gross tonnage 8963  
Net tonnage 4522

**Dimensions**  
Length over all 134,65 m  
Length between p.p. 125,60 m  
Breadth over all 21,50 m  
Breadth moulded 21,50 m  
Summer draught 7,95 m  
Depth moulded 9,30 m  
Height keel to top mast 40,80 m

**Hold/hatch sizes**  
Number of holds/hatches 2/2  
Hold capacities About 13.875 m<sup>3</sup>/489.995 ft<sup>3</sup>  
#1 Lower hold dimensions 20,25 x 13,00/7,80/5,20 m  
#1 Tween deck dimensions 20,25 x 13,00/7,80 m  
#1 Hatch dimensions 25,50 x 16,90/13,00 m  
#1 Tank top -> TWD -> HC 5,18 / 6,09 m  
#2 Lower hold dimensions 58,50 x 16,90/5,20(aft 13.5m)  
#2 Tween deck dimensions 58,50 x 16,90 m  
#2 Hatch dimensions 57,98 x 16,90 m  
#2 Tank top -> TWD -> HC 4,68/6,59 or 8,47/2,80 m  
Weather deck dimensions 89,25 x 17,3 m  
Hold height 11,89 m

Hatch cover surface 1.413 m<sup>2</sup>  
Tween deck surface 1.736 m<sup>2</sup>  
Lower hold surface 1.006 m<sup>2</sup>

**Container capacity**  
Hold capacity 252 TEU  
Deck capacity 295 TEU (10 Reefer)  
Total 547 TEU (464 TEU @ 14 mt)

Stack weight TEU/FEU Tank top: 90/120 mt  
Hatch cover: 40/60 mt

TEU slots for IMO class 1 All on deck, class 1.45 in holds

**Deck loads**  
Tanktop 15.0 mt/m<sup>2</sup>  
Tween deck pontoons 3.0 mt/m<sup>2</sup>  
Hatch covers (HC) 3,5 mt/m<sup>2</sup>  
HC between cranes 4,0 mt/m<sup>2</sup>

**Hatch cover/Tween deck**  
Type of hatch covers Hydraulic folding + pontoons  
Tween deck pontoons 17 removable pontoons  
(can be used as bulkheads)

**Propulsion/Manoeuvring**  
Main Engine 7.200 kW  
Bow thruster 650 kW  
Propeller Variable pitch propeller  
Rudder Free-hanging flap type  
Service speed 13,75 kn

**Bunkers/Ballast capacity**  
Heavy fuel oil 719 m<sup>3</sup>  
Marine gas oil 318 m<sup>3</sup>  
Lubricating oil 29 m<sup>3</sup>  
Fresh water 136 m<sup>3</sup>  
Ballast water 5843 m<sup>3</sup>

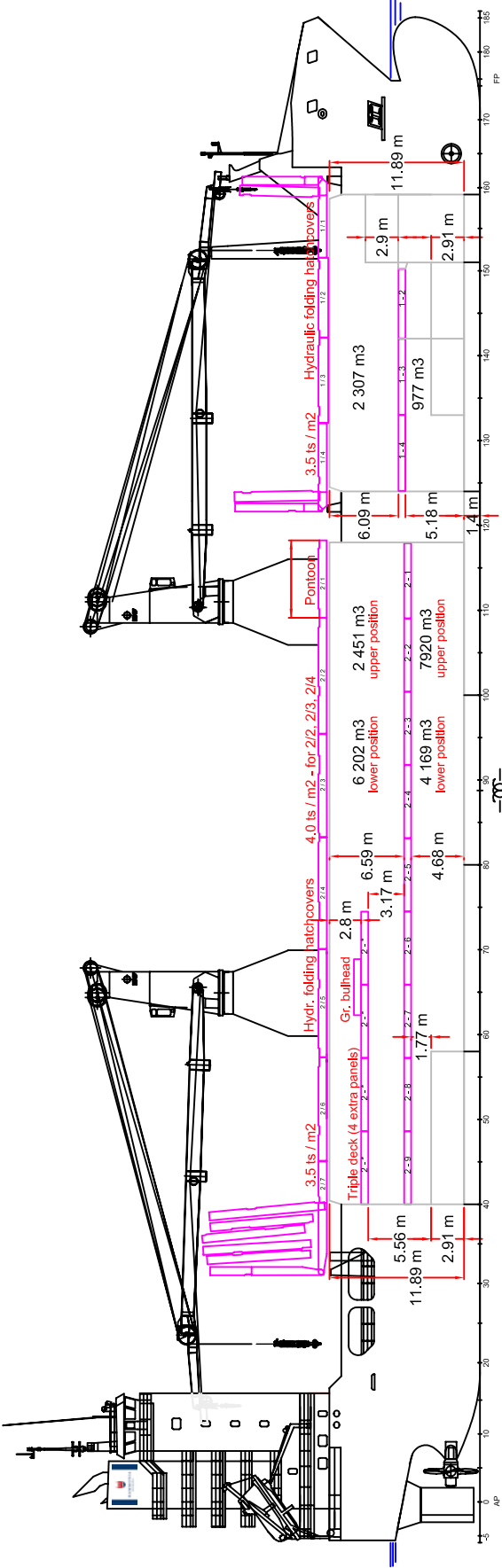
**Cargo gear**  
Cranes on port side 2 x NMF 250 mt SWL  
Load/Outreach 250 mt/6,5-12,0 m  
200 mt/5,5-15,0 m  
150 mt/5,5-20,0 m  
100 mt/4,0-30,0 m  
35 mt/3,0-30,0 m  
Tandem operation 500 mt SWL  
Lifting beam on board 1 x 18,0 m, WLL 460 mt  
Spreader beams on board 1 x 11,6 m, WLL 250 mt  
2 x 1,0/2,0/3,0/4,0/5,0/6,0 m  
(14 in total) WLL 250 mt

**Lifting heights**  
At 6,5 m outreach 34,0 m  
At 12,0 m outreach 33,0 m  
At 15,0 m outreach 31,6 m  
At 20,0 m outreach 28,2 m  
At 30,0 m outreach 12,4 m

*All details are believed to be correct but  
without guarantee.*

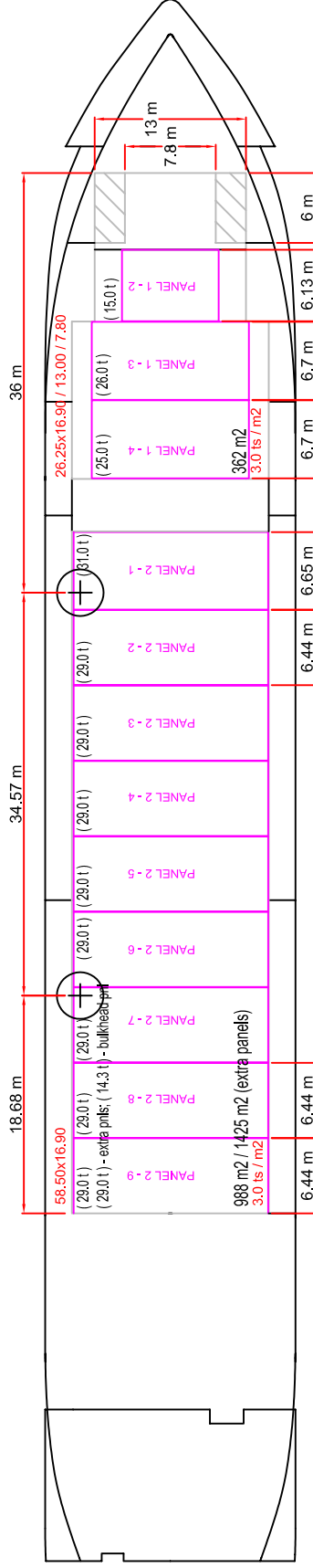
OCEAN7 Projects ApS  
Jyllandsgade 19A  
DK-7000 Fredericia  
Denmark

Phone: +45 7070 1311  
E-mail: denmark@ocean7projects.com

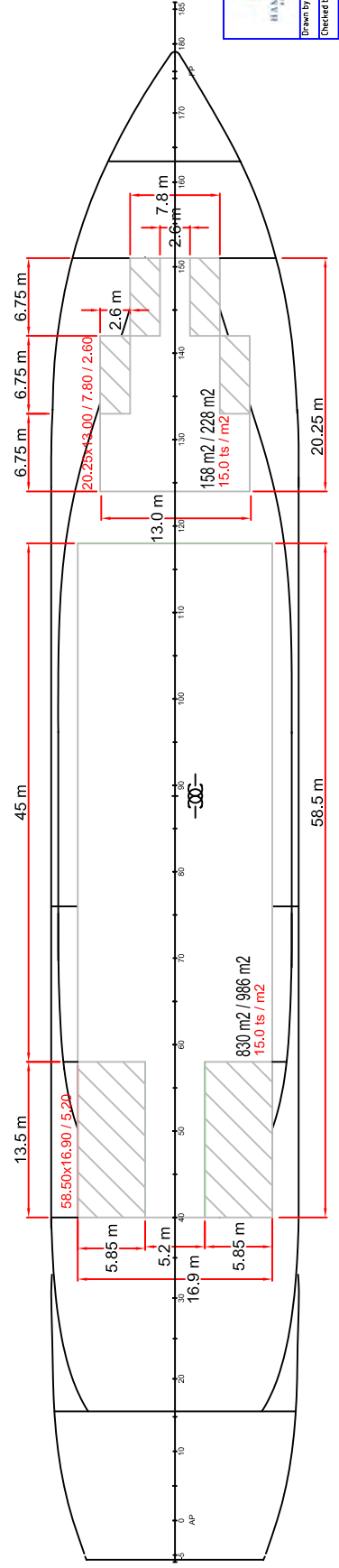


**TWEEN DECKS**

Capacity incl. Twd: 3 284 m<sup>3</sup>  
excl. Twd: 3 428 m<sup>3</sup>

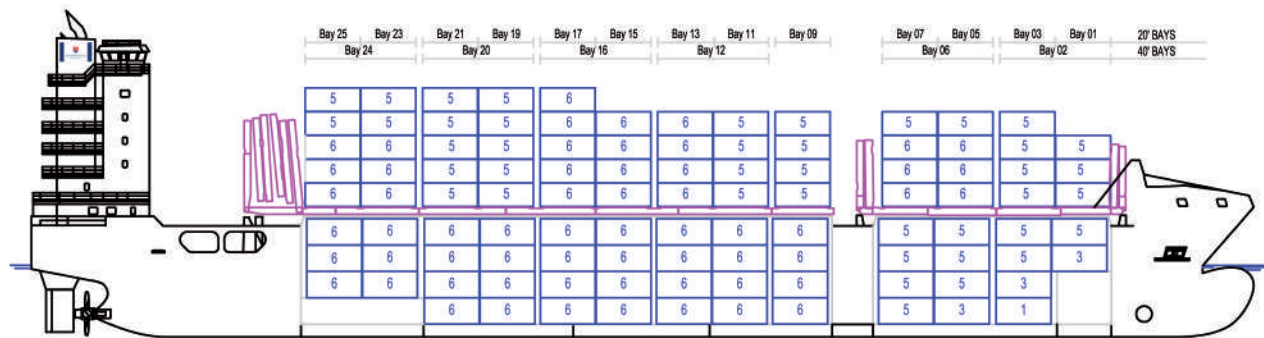


**TANKTOP**



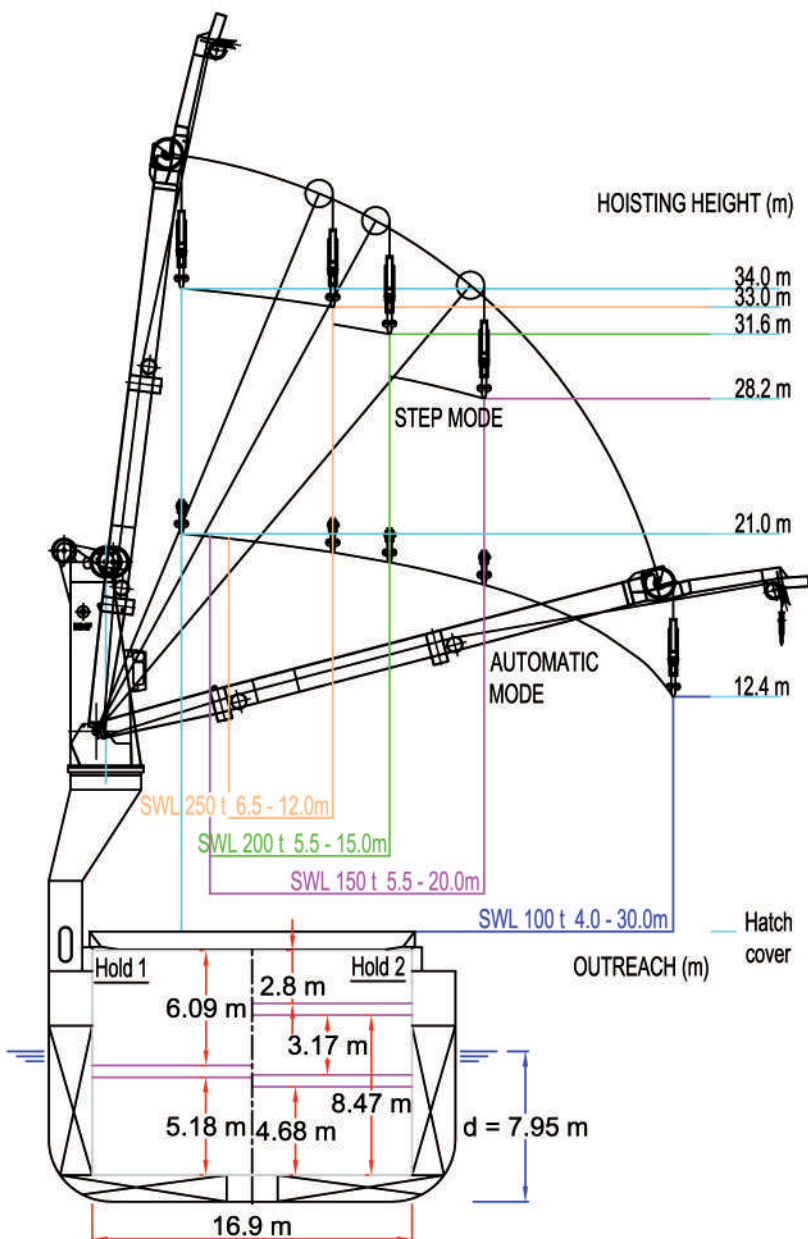
HAMONIA		Title: Infosheet R-Type	
Status:		Status:	
Drawn by: RT	Date: 04.09.2012	Req by: RS	Date: 04.09.2012
Checked by: OS	Date: 04.09.2012	Scale: NTS	Sheet: A4
Formah: A4		Drawing Number: 12-R0-INFO	
Rev: 1		Rev: 2	

# CONTAINER ARRANGEMENT



## LIFTING DIAGRAM

CRANE No.1,2 SWL 250 mt



## GENERAL PARTICULARS

Dimensions	
LOA	134.65 m
LBP	125.60 m
Breadth	21.50 m
Draft	7.95 m SSW / 8.107 m FW
Depth mld	9.30 m to main deck
Air draft	40.80 m to keel
GT / NT	8 963 / 4 522
Capacities	(excl. / incl. tweendecks)
Deadweight	10 544 mt / 9 992 mt
Bale capacity	14 733 m <sup>3</sup> / 13 655 m <sup>3</sup>
Tweendecks	17 pcs / 459.3 t / 1 078 m <sup>3</sup>
Container intake	547 TEU / 242 FEU+63TEU
Ballast water / HFO	5996/720m <sup>3</sup> / 5844/719m <sup>3</sup>
<b>Load distribution</b>	(uniform load)
Tanktop	15.0 mt/m <sup>2</sup>
Hatchcover	3.5 mt/m <sup>2</sup> / 4.0 mt/m <sup>2</sup>
Tween deck	3.0 mt/m <sup>2</sup>
Stackweights hatch cover	40 mt/TEU; 60 mt/FEU
Stackweight tanktop	90 mt/TEU; 120 mt/FEU
<b>Main engine data</b>	MAK 8M43
Output	7200kW
Speed	14.0 kn
Consumption	23,5 mt IFO 380cst
<b>Cargo Handling Gear</b>	NMF
Slewing range	360 degrees
Max. hoisting height	34.0 m from hatch to hook
Basis conditions	Heel +/-5 deg; Trim +/-2 deg

HARMONIA		Title	
		Infosheet R-Type	
		Status	
Drawn by:	RT	Date:	04.09.2012
Checked by:	OS	Date:	04.09.2012
Scale:	NTS	Sheet:	2
Format:	A4	Of:	2
		Drawing Number:	12-R0-INF
		Req by:	RS
		Rev.:	