



M/V 'IDUUN'

Valid as of 25 Mar 2025

Registration	
Call sign	PBWG
IMO number	9415064
Port of registry	Rotterdam
Flag state	The Netherlands
Shipyard	Ben Kien Shinco
Year/Place of delivery	2012/Haiphong
Class	Bureau Veritas
Class notation	I ✕ HULL ✕ MACH, Gen. cargo ship – heavy cargo (16 T/m ²) Unrestricted Navigation ✕ AUT-UMS, ICE CLASS IA
P&I Club	North Netherlands P&I Club

Tonnage	
DWAT	Abt. 8.850 mt (w tween deck)
DWCC	Abt. 7.900 mt
Gross tonnage	6.577
Net tonnage	3.002

Dimensions	
Length over all	129,40 m
Length between p.p.	122,10 m
Breadth over all	17,30 m
Breadth moulded	17,30 m
Summer draught	7,35 m
Depth moulded	10,00 m
Height keel to top mast	38,90 m

Hold/hatch sizes	
Number of holds/hatches	2/2
Hold capacity (grain)	About 11.070 m ³ /391.000 ft ³
#1 Lower hold dimensions	25,90 x 13,50 m (narrow fwd)
#1 Tween deck dimensions	25,90 x 13,50 m
#2 Lower hold dimensions	52,50 x 13,50 m (narrow aft)
#2 Tween deck dimensions	52,50 x 13,50

TD top pos (heigh above/below)	3,00/7,04 m
TD mid pos (heigh above/below)	5,15/4,84 m
TD bot pos (heigh above/below)	7,04/3,00 m
Hold height	10,65 m

Hold (T/T + T/D) floor surface	About 2.048 m ²
Deck floor surface	About 1.038 m ²

Container capacity	
Hold capacity	228 TEU
Deck capacity	276 TEU (5 reefer)
Total	504 TEU
Stack weight TEU/FEU	Tank top: 100/115 mt Hatch covers: 35/54 mt

TEU slots for IMO class 1.1-1.6 class 1.4S	In hold 1 and on deck In 1 and 2 and on deck
--	---

Deck loads	
Tank top	16 mt/m ² (locally 20 mt/m ²)
Tween deck pontoons	3,50 mt/m ²
Hatch covers	1,75 mt/m ²

Hatch covers/Tween deck	
Type of hatch covers	5 + 11 panels
Tween deck pontoons	5 + 11
	All moveable by own gantry
	Tween decks can be set as moveable bulkheads

Propulsion/Maneuvering	
Main Engine	4.000 kW
Bow thruster	500 kW
Propeller	Controllable pitch propeller
Rudder	Balanced
Service speed	14,0 kn

Bunkers/Ballast capacity	
Marine gas oil	685 m ³
Fresh water	125 m ³
Ballast water	4.378 m ³

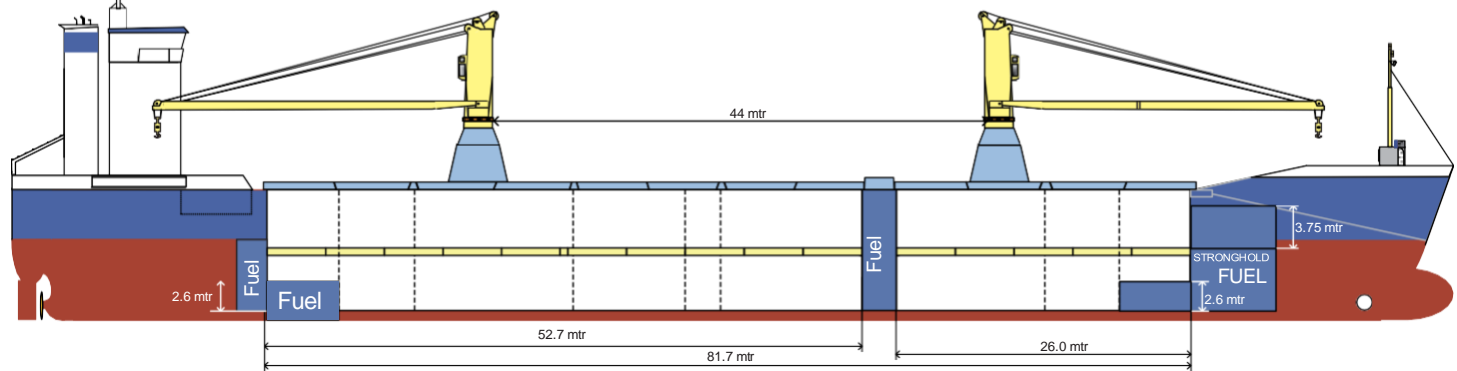
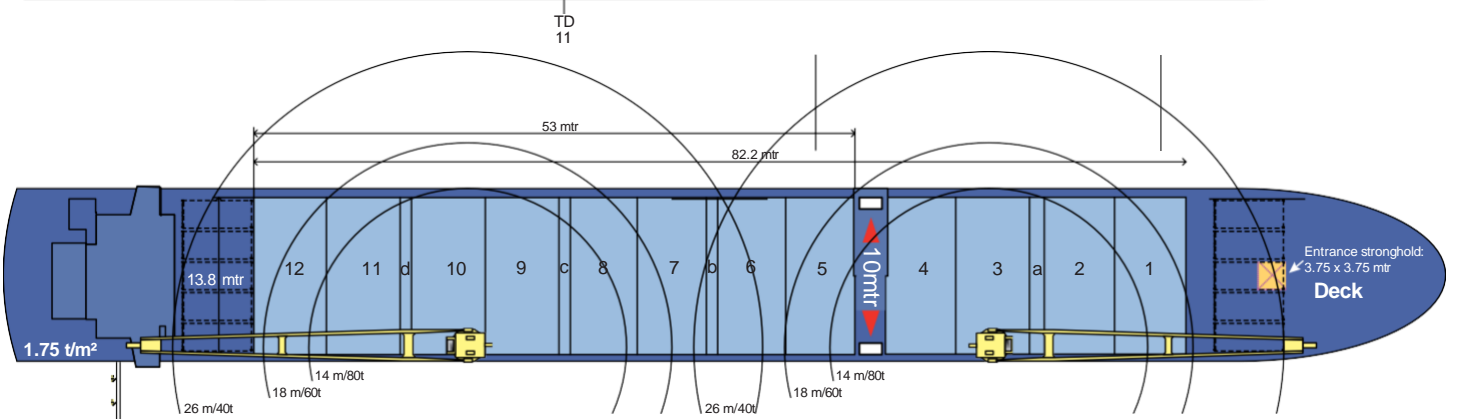
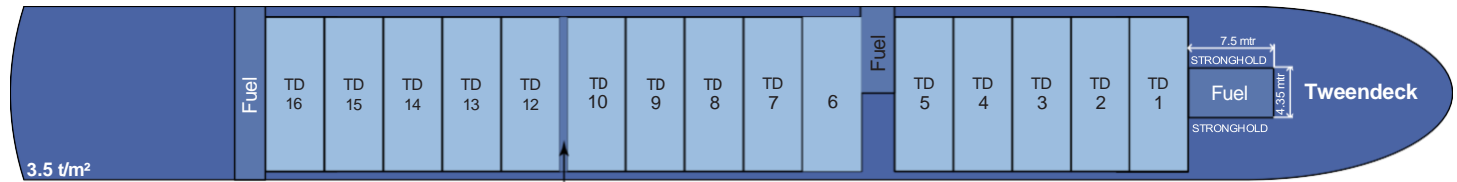
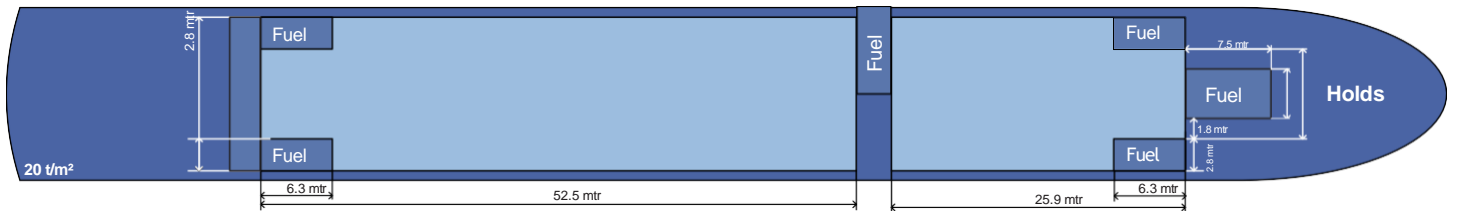
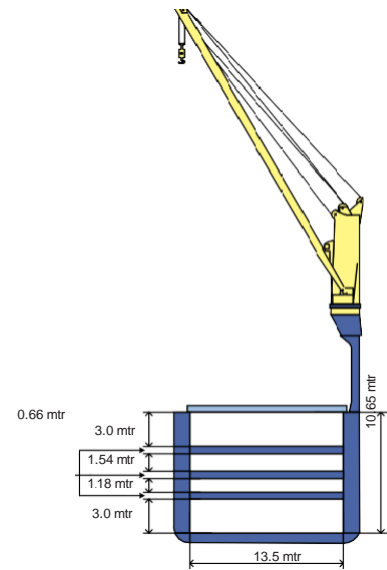
Cargo gear	
Cranes on stbd side	2 x NMF x 80 mt SWL
Load/Outreach	80 mt/4,0-18,0 m 65 mt/4,0-22,0 m 50 mt/3,5-28,0 m
Tandem load	160 mt SWL
Spreader beams on board	1 x 12,20 m x 160 mt WLL 2 x 3,90 m x 80 mt WLL 2 x 6,00 m x 80 mt WLL 1 x 9,00 m x 50 mt WLL
Distance pipe	1 x 18,00 m x 160 mt WLL

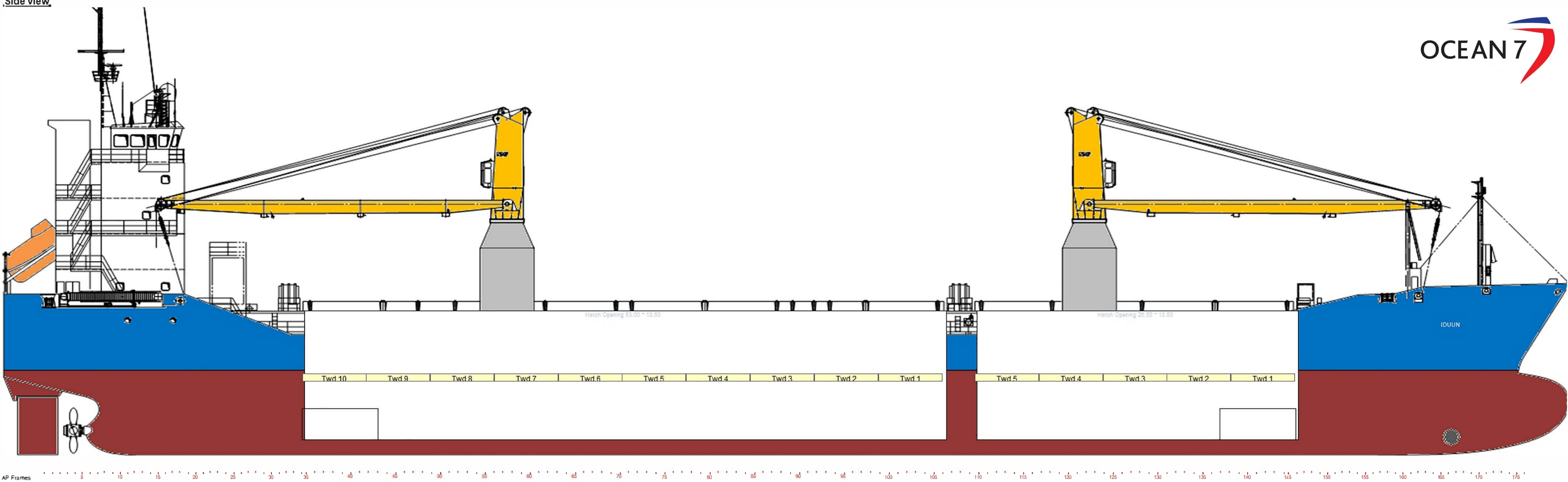
Lifting heights

All details are believed to be correct but without guarantee/HWS

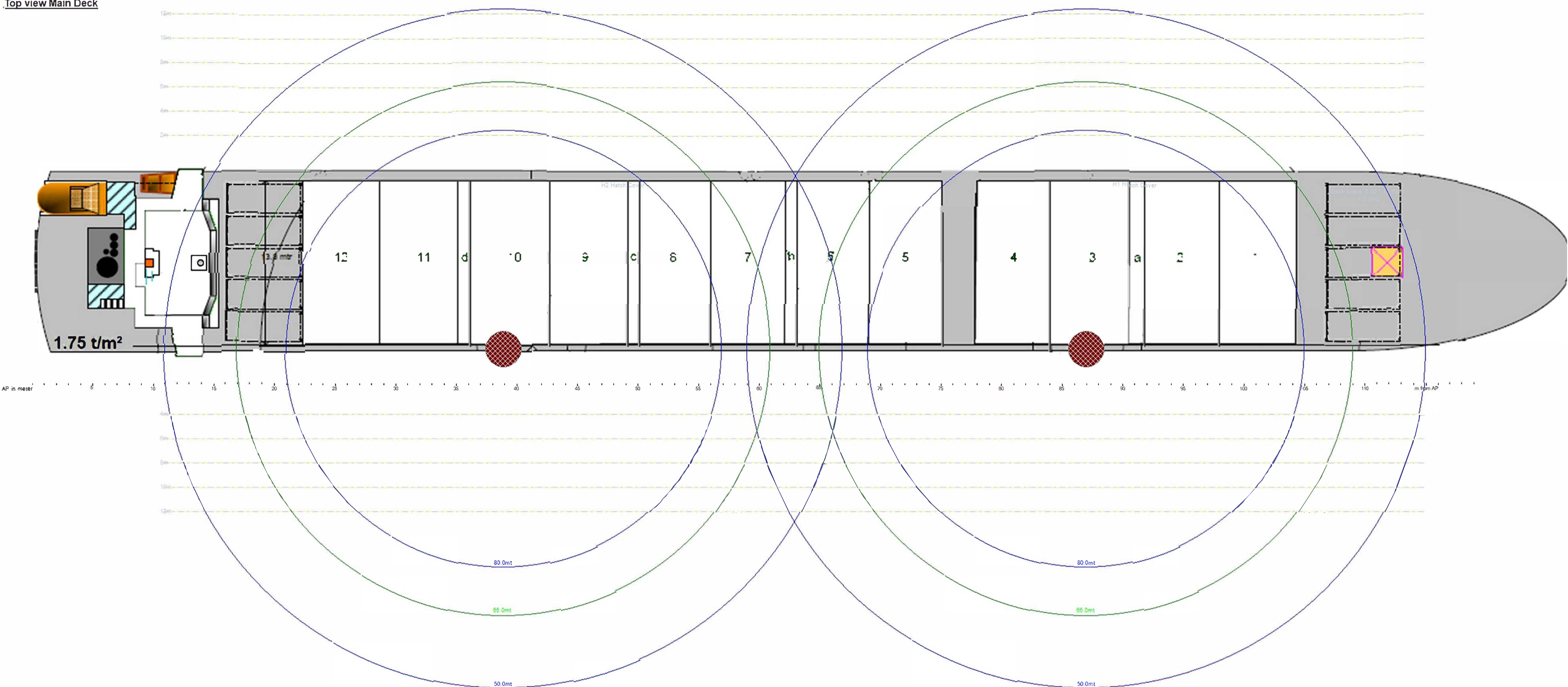
Phone: +45 7070 1311
E-mail: europe@ocean7projects.com
Web: ocean7projects.com

mv IDUNN

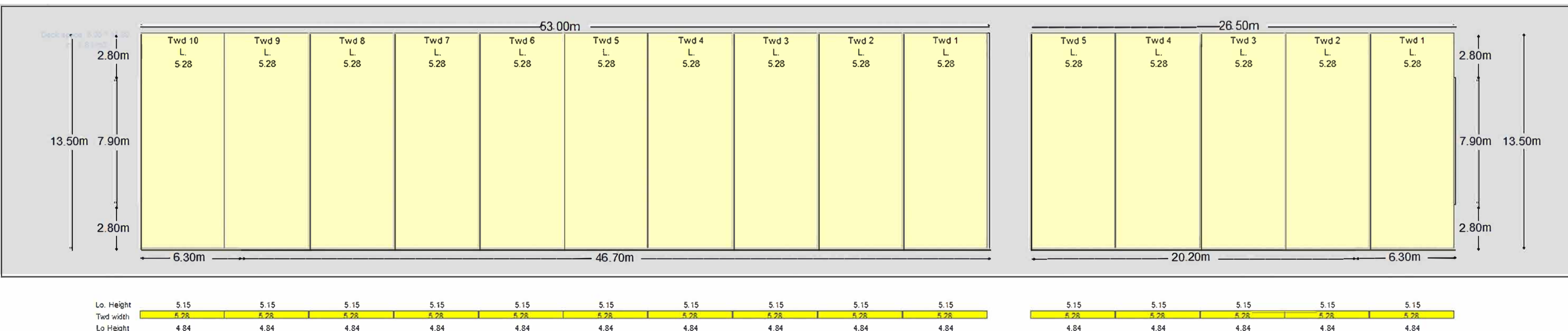




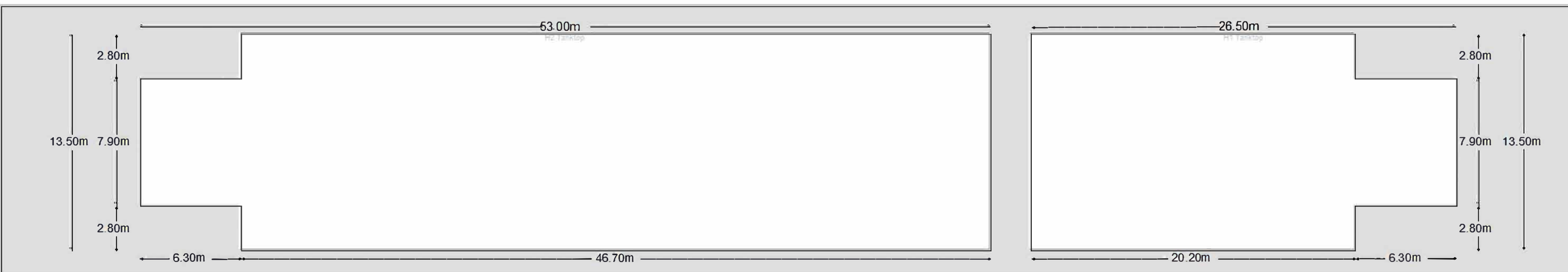
Top view Main Deck



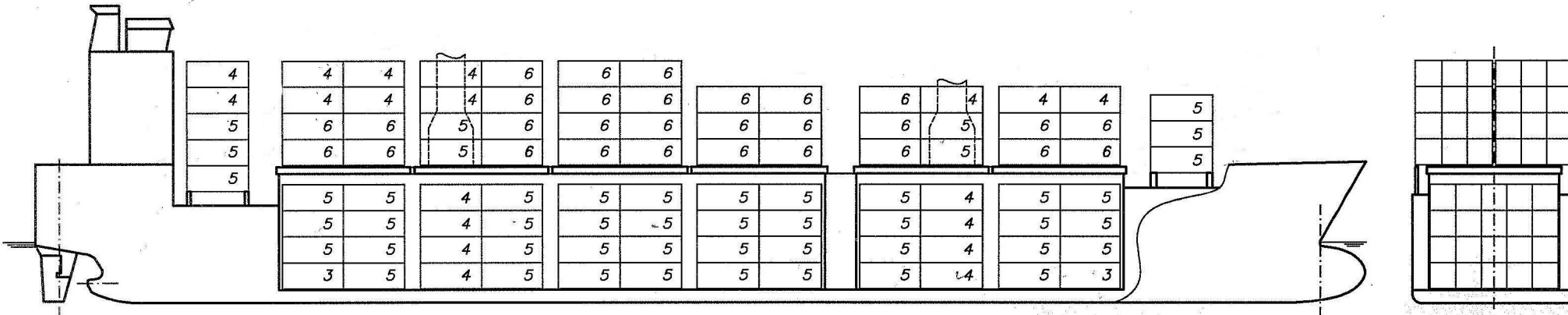
Top view Tweendeck



Top view Tank Top



27	25	23	21	19	17	15	13	11	09	07	05	03	01	20' BAY
	24		20		16		12		08		04			40' BAY



23	20	20	18	24	24	24	18	18	18	14	16	16	15	TEU	DECK	268
(23)	20		18(4)		24		18			14(3)	16		(15)	FEU (TEU)		110 (45)

18	20	16	20	20	20	20	20	20	16	20	18	TEU	HOLD	228
18(2)		16(4)		20		20			16(4)		18(2)	FEU (TEU)		108 (12)

GL APPROVED ON 2011-08-04 WITH REF.-NO. 11-088867

CONTAINER CAPACITY	TEU	TOTAL	496
	FEU (TEU)		218 (57)

WE RESERVE ALL RIGHTS FOR THIS DRAWING EVEN IN CASE OF PATENTS GRANTED OR REGISTRATION OF UTILITY MODELS. REPRODUCTION AND TRANSMITTEL TO THIRD PARTIES OR OTHER USE ARE NOT ALLOWED WITHOUT OUR CONSENT.

a	GL - approval	08-AUG-2011	CFR
IND.	MODIFICATION	DATE	NAME

CONTAINER STOWAGE PLAN
DECK - HOLD
BEN KIEN SHIPYARD

HB-0627-AA-001

19-July-2011/CFR

Index:
a
Sheet 1