

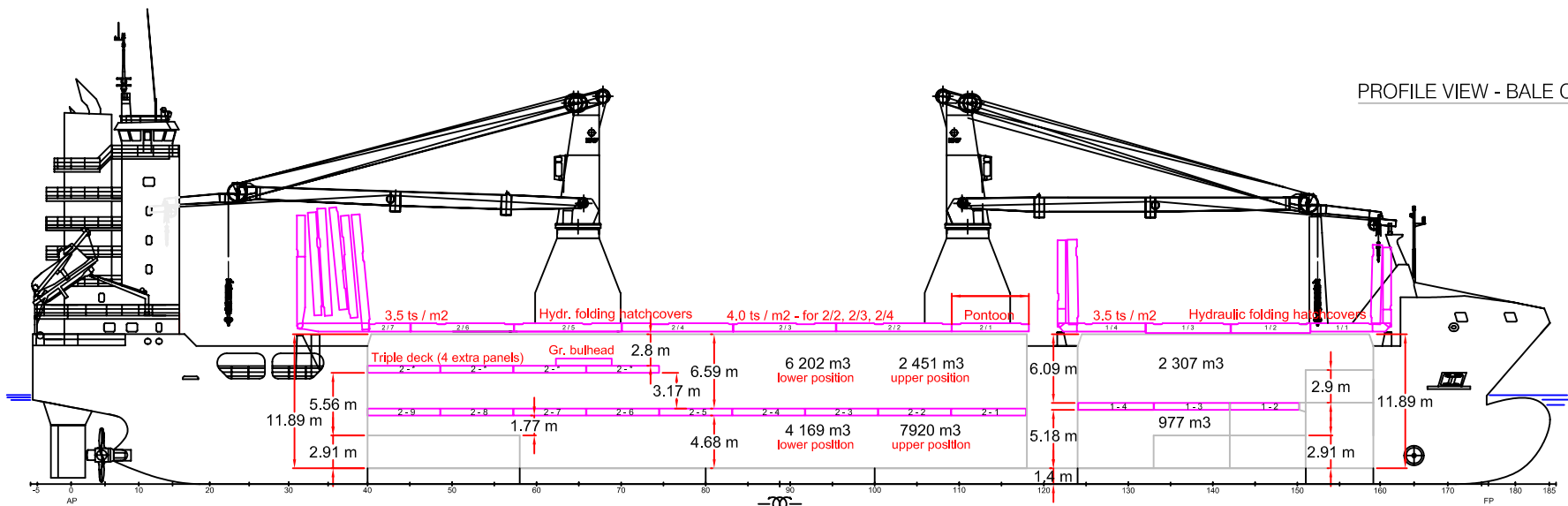


M/V 'INDUSTRIAL RUBY'

Valid as of 16 Jan 2023

<p>Registration Call sign D5AH3 IMO number 9277292 Port of registry Monrovia Flag state Liberia Shipyard Volharding Shipyards Year/Place of delivery 2005/Hoogezand Class DNV-GL Class notation I ✕100 A5 Multi-Purpose DC-ship Equipped for carriage of cont. DBC SOLAS-II-2, Reg.19 ERS IW Strengthened for heavy cargo ✕MC AUT</p> <p>P&I Club Skuld</p> <p>Tonnage DWAT 10.105 mt (incl. Tween decks) DWCC Abt. 9100 mt Gross tonnage 8963 Net tonnage 4522</p> <p>Dimensions Length over all 134,52 m Length between p.p. 125,67 m Breadth over all 21,50 m Breadth moulded 21,50 m Summer draught 7,95 m Depth moulded 9,30 m Height keel to top mast 42,20 m</p> <p>Hold/hatch sizes Number of holds/hatches 2/2 Hold capacities About 13.875 m³/489.995 ft³ #1 Hatch cover 26,26 x 17,38 m #1 Hatch opening 25,50 x 16,90 m #1 Tween deck 20,25 x 13,00/7,80 m #1 Lower hold 20,25 x 13,00/7,80/5,20 m #2 Hatch cover 58,50 x 17,30 m #2 Hatch opening 57,98 x 16,90 m #2 Tween deck 58,50 x 16,90 m #2 Lower hold 58,50 x 16,90/5,20 m #1 Tween deck above/under 6,09/5,18 m #2 Tween decks above/under 2,80/8,47 or 6,59/4,68 m Hold height 11,89 m</p> <p>Hatch cover surface 1.413 m² Tween deck surface 1.736 m² Lower hold surface 1.006 m²</p> <p>Container capacity Hold capacity 252 TEU Deck capacity 295 TEU (10 Reefer) Total 547 TEU (464 TEU @ 14 mt)</p> <p>Stack weight TEU/FEU Tank top: 90/120 mt Hatch cover: 40/60 mt</p> <p>TEU slots for IMO class 1 All on deck, class 1.4S in holds</p>	<p>Deck loads Tanktop 15.0 mt/m² Tween deck pontoons 3.0 mt/m² Hatch covers (HC) 3,5 mt/m² HC between cranes 4,0 mt/m²</p> <p>Hatch cover/Tween deck Type of hatch covers Hydraulic folding + pontoons Tween deck pontoons 17 removable pontoons (can be used as bulkheads)</p> <p>Propulsion/Manoeuvring Main Engine 7.200 kW Bow thruster 650 kW Propeller Variable pitch propeller Rudder Free-hanging flap type Service speed 13,75 kn</p> <p>Bunkers/Ballast capacity Heavy fuel oil 719 m³ Marine gas oil 318 m³ Lubricating oil 29 m³ Fresh water 136 m³ Ballast water 5701 m³</p> <p>Cargo gear Cranes on port side 2 x NMF 250 mt SWL Load/Outreach 250 mt/6,5-12,0 m 200 mt/5,5-15,0 m 150 mt/5,5-20,0 m 100 mt/4,0-30,0 m 35 mt/3,0-30,0 m Tandem operation 500 mt SWL</p> <p>Lifting beam on board 1 x 18,0 m, WLL 460 mt Spreader beams on board 1 x 12,0 m, WLL 250 mt 2 x 3,0-9,0 m, WLL 250 mt 1 x 20' automatic spreader</p> <p>Lifting heights At 6,5 m outreach 34,0 m At 12,0 m outreach 33,0 m At 15,0 m outreach 31,6 m At 20,0 m outreach 28,2 m At 30,0 m outreach 12,4 m</p> <p><i>All details are believed to be correct but without guarantee/hws.</i></p> <p>OCEAN7 Projects ApS Jyllandsgade 19A DK-7000 Fredericia Denmark</p> <p>Phone: +45 7070 1311 E-mail: denmark@ocean7projects.com</p>
---	--

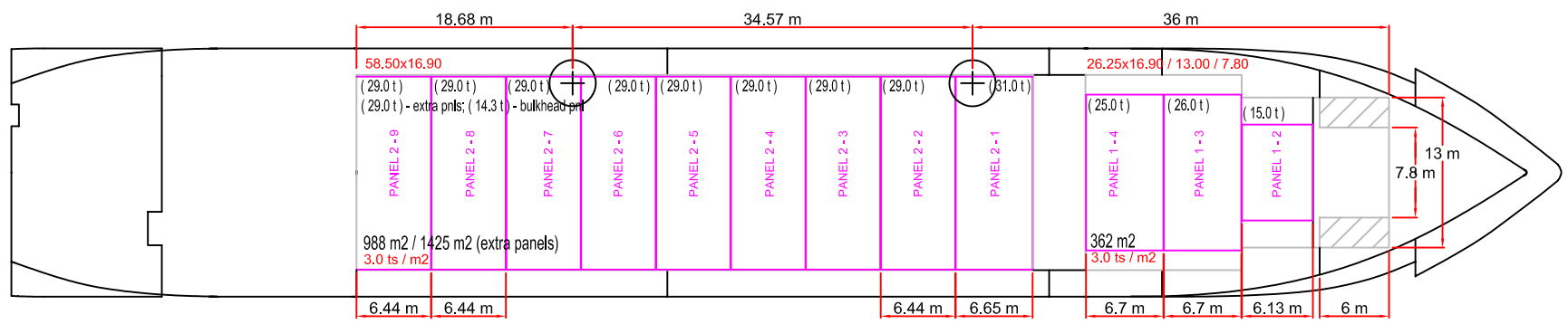
PROFILE VIEW - BALE CAPACITY



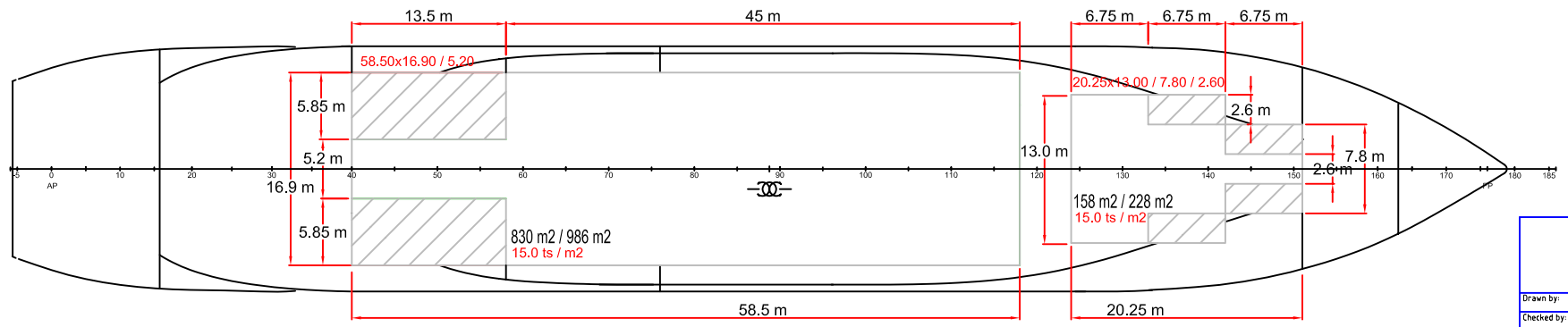
Capacity incl. Twd: 10 371 m3
excl. Twd: 11 305 m3

Capacity incl. Twd: 3 284 m3
excl. Twd: 3 428 m3

TWEEN DECKS



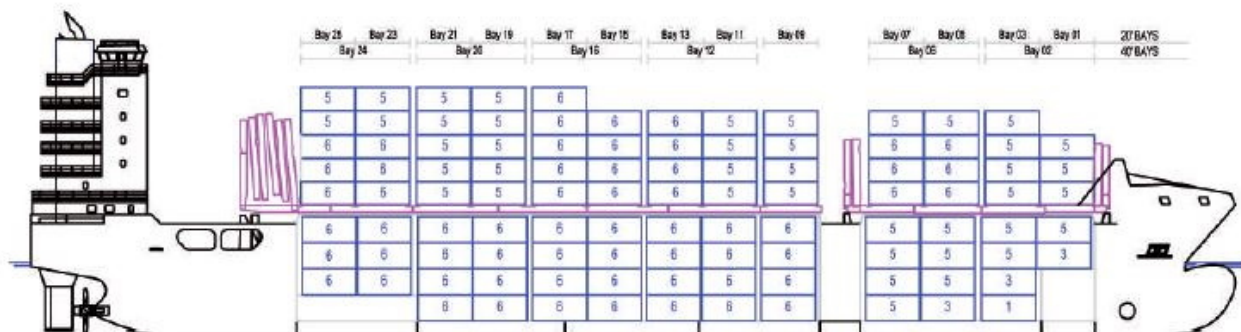
TANKTOP



Title: Infosheet R-Type			
Status:			
Drawn by: RT	Date: 04.09.2012	Req by: RS	
Checked by: OS	Date: 04.09.2012		
Scale: NTS	Format: A4	Sht: 1 Of: 2	Drawing Number: 12-R0-INFO

(all values given in good faith without guarantee)

CONTAINER ARRANGEMENT



LIFTING DIAGRAM

CRANE No.1,2 SWL 250 mt

