



M/V 'KOGA REVOLUTION

Valid as 09 Nov 2022

Registration
Call sign D5AH2
IMO number 9267742
Port of registry Monrovia
Flag state Liberia
Shipyard Volharding Shipyards
Year/Place of delivery 2005/Hoogezand
Class DNV-GL
Class notation 100 A5 Multi-Purpose
DC-ship Equipped for carriage
of cont. DBC, SOLAS-II-2,
Reg.19 ERS IW Strengthened
for heavy cargo MC AUT
P&I Club Skuld

Tonnage
Displacement 15550 mt
DWAT 9992 mt (incl. Tween decks)
DWCC Abt. 9000 mt
Gross tonnage 8963
Net tonnage 4522

Dimensions
Length over all 134,65 m
Length between p.p. 125,60 m
Breadth over all 21,50 m
Breadth moulded 21,50 m
Summer draught 7,95 m
Depth moulded 9,30 m
Height keel to top mast 40,80 m

Hold/hatch sizes
Number of holds/hatches 2/2
Hold capacities About 13.875 m³/489.995 ft³
#1 Lower hold dimensions 20,25 x 13,00/7,80/5,20 m
#1 Tween deck dimensions 20,25 x 13,00/7,80 m
#1 Hatch dimensions 25,50 x 16,90/13,00 m
#1 Tank top -> TWD -> HC 5,18 / 6,09 m
#2 Lower hold dimensions 58,50 x 16,90/5,20(aft 13.5m)
#2 Tween deck dimensions 58,50 x 16,90 m
#2 Hatch dimensions 57,98 x 16,90 m
#2 Tank top -> TWD -> HC 4,68/6,59 or 8,47/2,80 m
Weather deck dimensions 89,25 x 17,3 m
Hold height 11,89 m

Hatch cover surface 1.413 m²
Tween deck surface 1.736 m²
Lower hold surface 1.006 m²

Container capacity
Hold capacity 252 TEU
Deck capacity 295 TEU (10 Reefer)
Total 547 TEU (464 TEU @ 14 mt)

Stack weight TEU/FEU Tank top: 90/120 mt
Hatch cover: 40/60 mt

TEU slots for IMO class 1 All on deck, class 1.45 in holds

Deck loads
Tanktop 15.0 mt/m²
Tween deck pontoons 3.0 mt/m²
Hatch covers (HC) 3,5 mt/m²
HC between cranes 4,0 mt/m²

Hatch cover/Tween deck
Type of hatch covers Hydraulic folding + pontoons
Tween deck pontoons 17 removable pontoons
(can be used as bulkheads)

Propulsion/Manoeuvring
Main Engine 7.200 kW
Bow thruster 650 kW
Propeller Variable pitch propeller
Rudder Free-hanging flap type
Service speed 13,75 kn

Bunkers/Ballast capacity
Heavy fuel oil 719 m³
Marine gas oil 318 m³
Lubricating oil 29 m³
Fresh water 136 m³
Ballast water 5843 m³

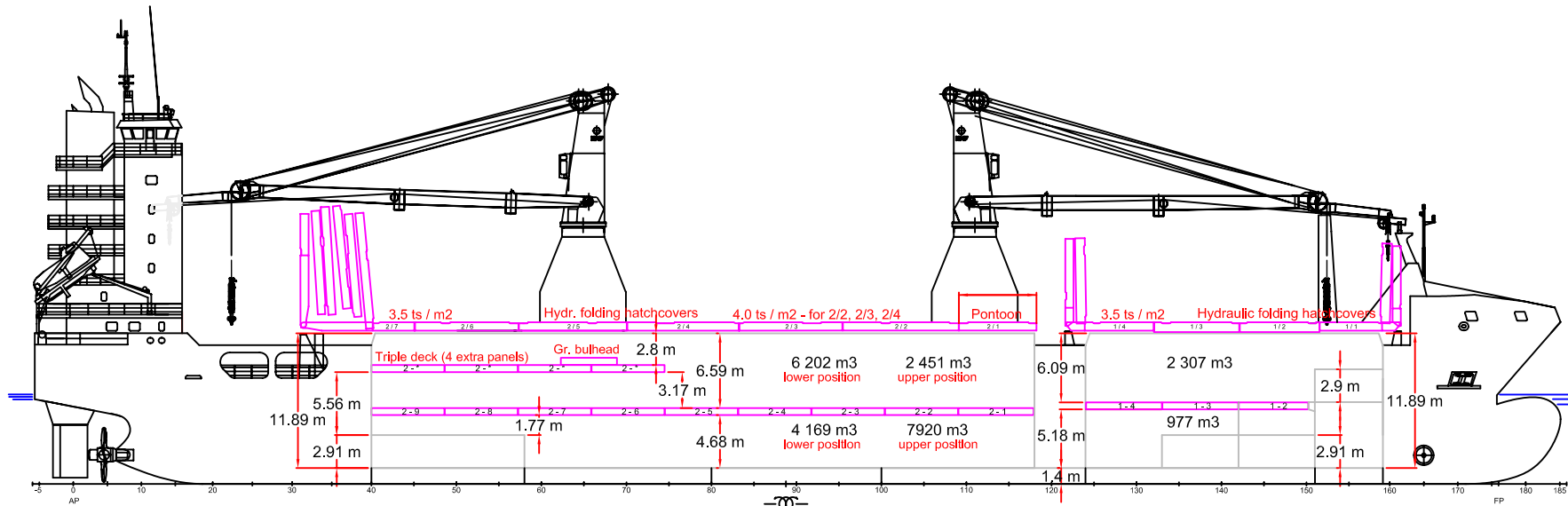
Cargo gear
Cranes on port side 2 x NMF 250 mt SWL
Load/Outreach 250 mt/6,5-12,0 m
200 mt/5,5-15,0 m
150 mt/5,5-20,0 m
100 mt/4,0-30,0 m
35 mt/3,0-30,0 m
Tandem operation 500 mt SWL
Lifting beam on board 1 x 18,0 m, WLL 460 mt
Spreader beams on board 1 x 11,6 m, WLL 250 mt
2 x 1,0/2,0/3,0/4,0/5,0/6,0 m
(14 in total) WLL 250 mt

Lifting heights
At 6,5 m outreach 34,0 m
At 12,0 m outreach 33,0 m
At 15,0 m outreach 31,6 m
At 20,0 m outreach 28,2 m
At 30,0 m outreach 12,4 m

*All details are believed to be correct but
without guarantee/HWS*

OCEAN7 Projects ApS
Jyllandsgade 19A
DK-7000 Fredericia
Denmark

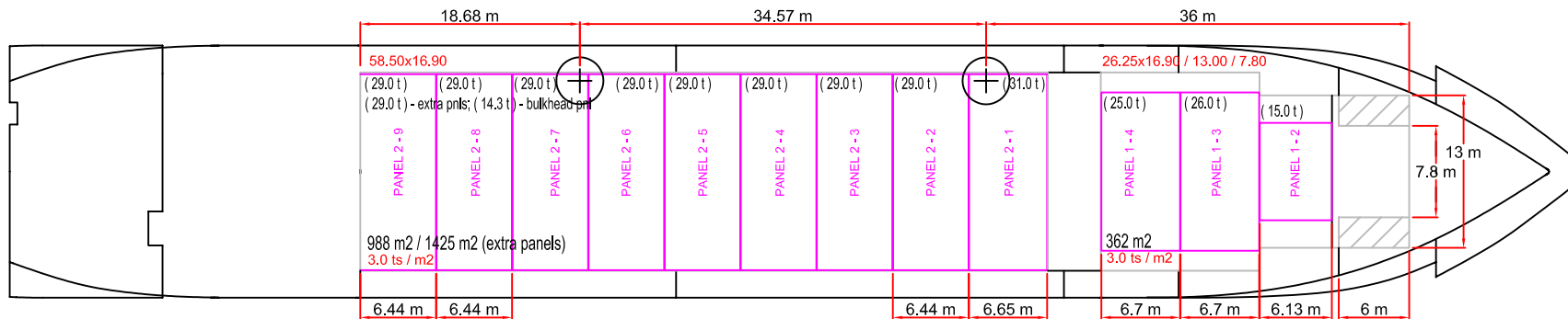
Phone: +45 7070 1311
E-mail: denmark@ocean7projects.com



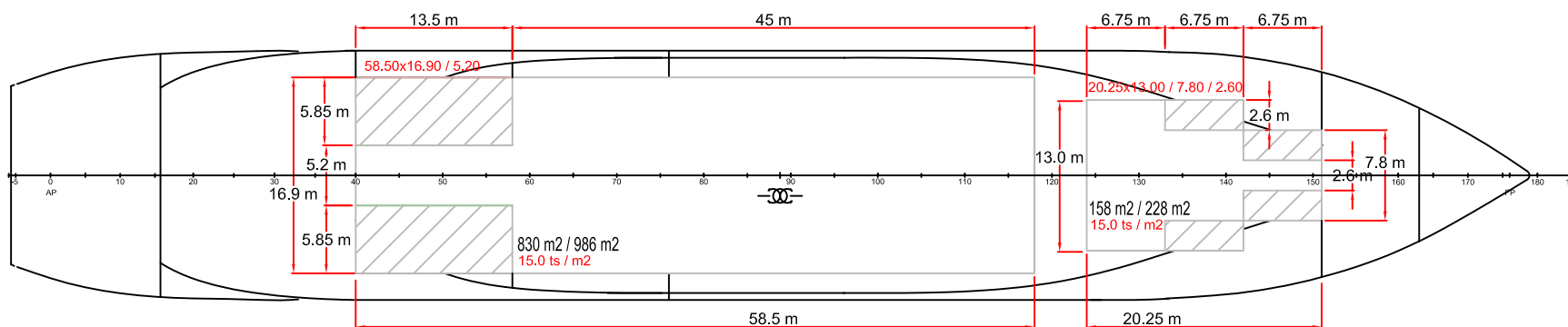
Capacity incl. Twd: 10 371 m³
excl. Twd: 11 305 m³

Capacity incl. Twd: 3 284 m³
excl. Twd: 3 428 m³

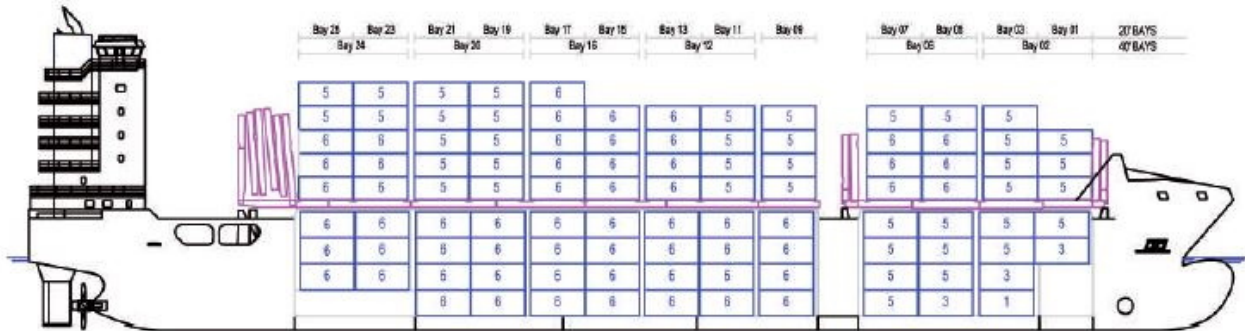
TWEEN DECKS



TANKTOP



CONTAINER ARRANGEMENT



LIFTING DIAGRAM

CRANE No.1,2 SWL 250 mt

