



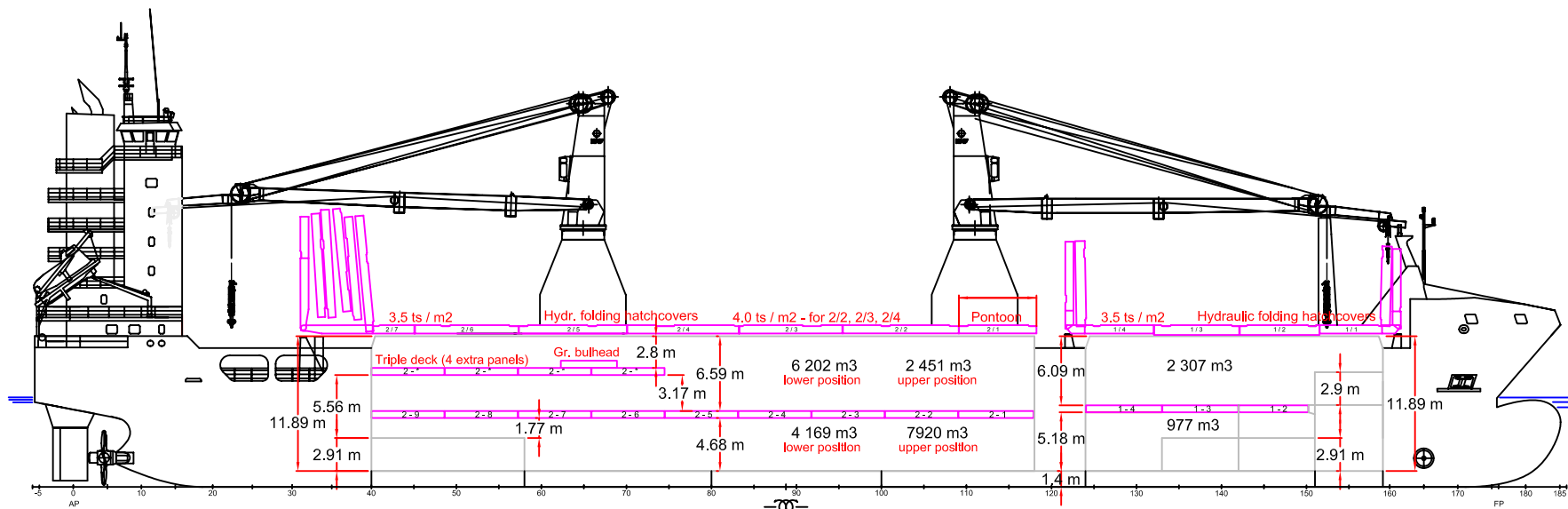
## M/V 'KOGA REVOLUTION

Valid as 09 Oct 2023

<b>Registration</b>		<b>Deck loads</b>	
Call sign	D5AH2	Tanktop	15.0 mt/m <sup>2</sup>
IMO number	9267742	Tween deck pontoons	3.0 mt/m <sup>2</sup>
Port of registry	Monrovia	Hatch covers (HC)	3,5 mt/m <sup>2</sup>
Flag state	Liberia	HC between cranes	4,0 mt/m <sup>2</sup>
Shipyard	Volharding Shipyards		
Year/Place of delivery	2005/Hoogezand	<b>Hatch cover/Tween deck</b>	
Class	DNV-GL	Type of hatch covers	Hydraulic folding + pontoons
Class notation	☒ 100 A5 Multi-Purpose DC-ship Equipped for carriage of cont. DBC, SOLAS-II-2, Reg.19 ERS IW Strengthened for heavy cargo ☒ MC AUT	Tween deck pontoons	17 removable pontoons (can be used as bulkheads)
P&I Club	Skuld	<b>Propulsion/Manoeuvring</b>	
<b>Tonnage</b>		Main Engine	7.200 kW
Displacement	15550 mt	Bow thruster	650 kW
DWAT	9992 mt (incl. Tween decks)	Propeller	Variable pitch propeller
DWCC	Abt. 9000 mt	Rudder	Free-hanging flap type
Gross tonnage	8963	Service speed	13,75 kn
Net tonnage	4522	<b>Bunkers/Ballast capacity</b>	
<b>Dimensions</b>		Heavy fuel oil	719 m <sup>3</sup>
Length over all	134,65 m	Marine gas oil	318 m <sup>3</sup>
Length between p.p.	125,60 m	Lubricating oil	29 m <sup>3</sup>
Breadth over all	21,50 m	Fresh water	136 m <sup>3</sup>
Breadth moulded	21,50 m	Ballast water	5843 m <sup>3</sup>
Summer draught	7,95 m	<b>Cargo gear</b>	
Depth moulded	9.30 m	Cranes on port side	2 x NMF 250 mt SWL
Height keel to top mast	40,80 m	Load/Outreach	250 mt/6,5-12,0 m 200 mt/5,5-15,0 m 150 mt/5.5-20,0 m 100 mt/4,0-30,0 m 35 mt/3,0-30,0 m
<b>Hold/hatch sizes</b>		Tandem operation	500 mt SWL
Number of holds/hatches	2/2	Lifting beam on board	1 x 18,0 m, WLL 460 mt
Hold capacities	About 13.875 m <sup>3</sup> /489.995 ft <sup>3</sup>	Spreader beams on board	1 x 11,6 m, WLL 250 mt 2 x 1,0/2,0/3,0/4,0/5,0/6,0 m (14 in total) WLL 250 mt
#1 Lower hold dimensions	20,25 x 13,00/7,80/5,20 m	<b>Lifting heights</b>	
#1 Tween deck dimensions	20,25 x 13,00/7,80 m	At 6,5 m outreach	34,0 m
#1 Hatch dimensions	25,50 x 16,90/13,00 m	At 12,0 m outreach	33,0 m
#1 Tank top -> TWD -> HC	5,18 / 6,09 m	At 15,0 m outreach	31,6 m
#2 Lower hold dimensions	58,50 x 16,90/5,20(aft 13.5m)	At 20,0 m outreach	28,2 m
#2 Tween deck dimensions	58,50 x 16,90 m	At 30,0 m outreach	12,4 m
#2 Hatch dimensions	57,98 x 16,90 m		
#2 Tank top -> TWD -> HC	4,68/6,59 or 8,47/2,80 m		
Weather deck dimensions	89,25 x 17,3 m		
Hold height	11,89 m		
Hatch cover surface	1.413 m <sup>2</sup>		
Tween deck surface	1.736 m <sup>2</sup>		
Lower hold surface	1.006 m <sup>2</sup>		
<b>Container capacity</b>			
Hold capacity	252 TEU		
Deck capacity	295 TEU (10 Reefer)		
Total	547 TEU (464 TEU @ 14 mt)		
Stack weight TEU/FEU	Tank top: 90/120 mt Hatch cover: 40/60 mt		
TEU slots for IMO class 1	All on deck, class 1.4S in holds		

*All details are believed to be correct but  
without guarantee/HWS*

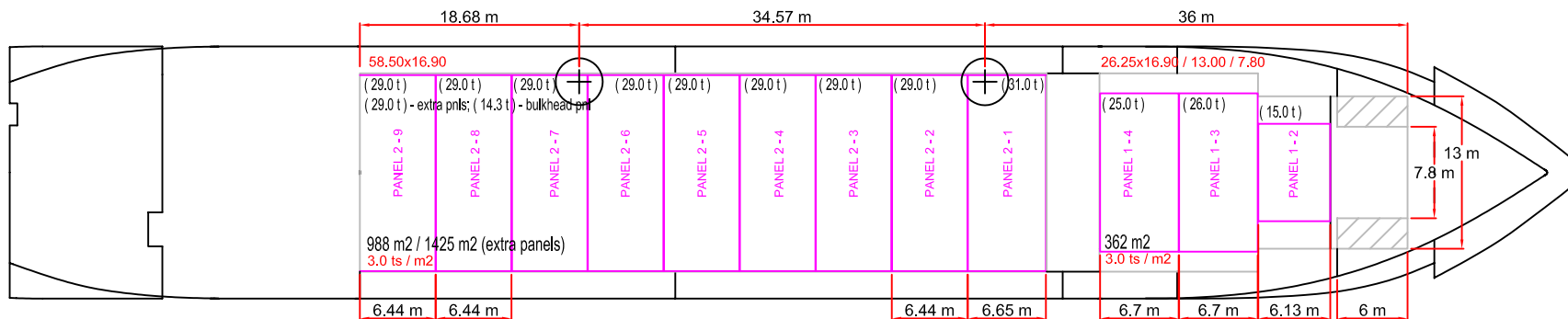
Phone: +45 70 70 13 11  
E-mail: europe@ocean7projects.com  
Web: ocean7.projects.com



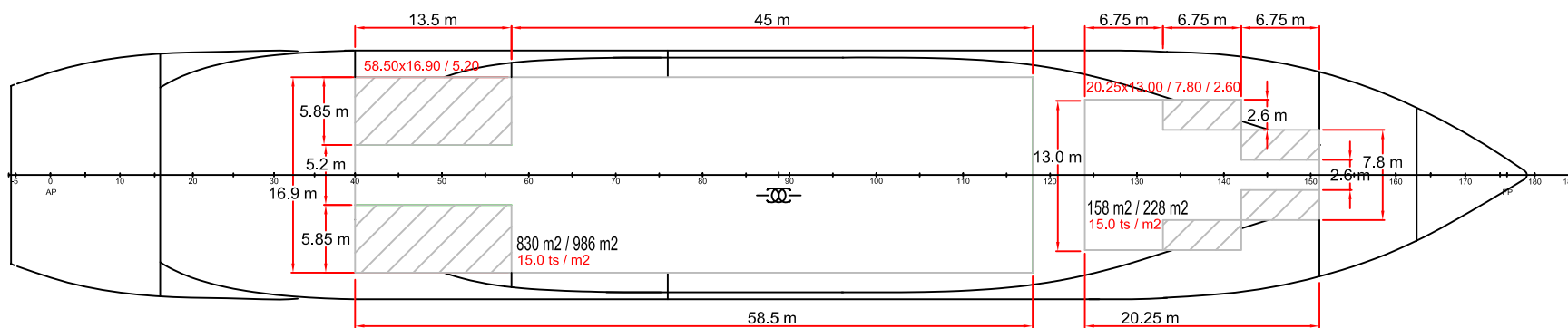
Capacity incl. Twd: 10 371 m<sup>3</sup>  
excl. Twd: 11 305 m<sup>3</sup>

Capacity incl. Twd: 3 284 m<sup>3</sup>  
excl. Twd: 3 428 m<sup>3</sup>

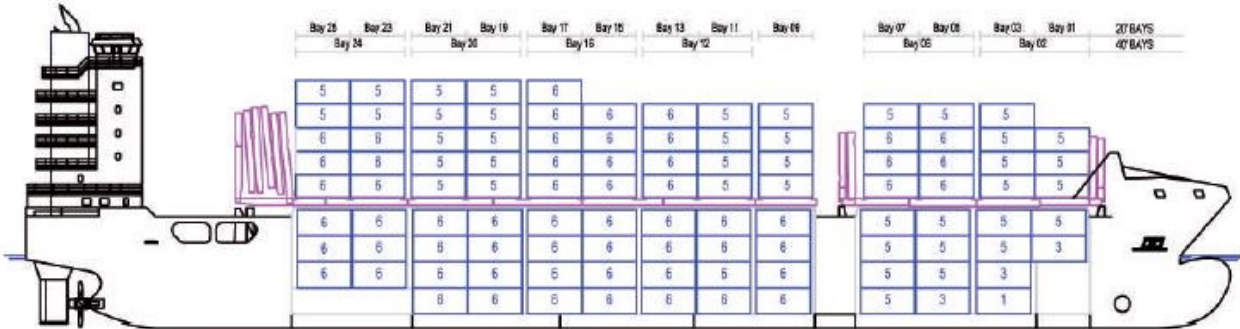
TWEEN DECKS



TANKTOP



### CONTAINER ARRANGEMENT



### LIFTING DIAGRAM

CRANE No.1,2 SWL 250 mt

