



M/V 'MYS DEZHNEVA'

Valid as of 18 Oct 2021

Registration	
Call sign	UBFV9
IMO number	9368340
Port of registry	Arkhangelsk
Flag state	Russian Federation
Shipyards	Hudong-Zhonghua Shipbuld.
Year/Place of delivery	2008/Shanghai, China
Class	Russian Maritime register of Shipping
Class notation	KM * IA AUT1 CONT (cargo Holds, main deck, hatch Covers) DG(pack) DG(bulk)
P&I Club	Ingosstrakh Insurance Comp.
Tonnage	
DWAT	17.300 mt
DWCC	Abt. 15.600 mt
Gross tonnage	11864
Net tonnage	5650
Dimensions	
Length over all	142,80 m
Length between p.p.	132,00 m
Breadth over all	21,50 m
Breadth moulded	21,50 m
Summer draught	9,71 m
Depth moulded	13,30 m
Height keel to top mast	40,96 m
Hold/hatch sizes	
Number of holds/hatches	2/2
Hold capacities	About 20.040 m ³ /707.705 ft ³
#1 Hatch cover	36,17 x 18,27 m
#1 Tween deck (1st pos)	35,86 x 17,75/7,81 m
#1 Tween deck (2nd pos)	35,86 x 17,75/12,69/7,81 m
#1 Hold	35,86 x 17,75/12,69/7,90 m
#2 Hatch cover	52,88 x 18,27 m
#2 Tween deck	52,16 x 17,75 m
#2 Hold	52,16 x 17,75/12,67 (aft) m
Height T/T > H/C #1 & #2	13,36 m
Height T/T > T/D #1	4,58/6,94/10,13 m
Height T/D > H/C #1	7,88/5,52/2,33 m
Height T/T > T/D #2	4,58/7,92/10,13 m
Height T/D > H/C #2	7,88/4,54/2,23 m
Deck surface	1.562 m ²
Tween deck surface	1.463 m ²
Tank top surface	1.430 m ²
Container capacity	
Hold capacity	446 TEU
Deck capacity	513 TEU (60 Reefer)
Total	959 TEU
Stack weight TEU/FEU	Tank top: 150/175 mt Hatch cover: 50/60 mt

TEU slots for IMO class 1

Class 1.1 -1.6 on all deck
Class 1.4S all deck and holds

Deck loads

Tanktop	20,0 mt/m ²
Tween Deck (T/D)	4,0 mt/m ²
Hatch covers (H/C)	1,75 mt/m ²

Hatch cover/Tween deck

Type of hatch covers	Hydraulic folding
Tween deck pontoons	6 + 8 removable pontoons Adjustable in three position (can be used as bulkheads)

Propulsion/Manoeuvring

Main Engine	7.800 kW
Bow thruster	750 kW
Shaft generator	832 kW
Propeller	Controllable pitch propeller
Rudder	Free-hanging flap type
Service speed	15,0 kn

Bunkers/Ballast capacity

Heavy fuel oil	Abt. 1.479 m ³
Marine gas oil	Abt. 218 m ³
Lubricating oil	Abt. 54 m ³
Fresh water	Abt. 281 m ³
Ballast water	Abt. 5.412 m ³

Cargo gear

Cranes on port side	3 x Liebherr electro-hydraulic 60 mt SWL
Load/Outreach	60 mt/3,5-16,0 m (3-falls) 40 mt/1,8-28,0 m (2-falls)

Tandem operation	120 mt SWL (between each cranes)
------------------	-------------------------------------

Lifting beams on board	2 x 4,0 m, 35 mt WLL each
------------------------	---------------------------

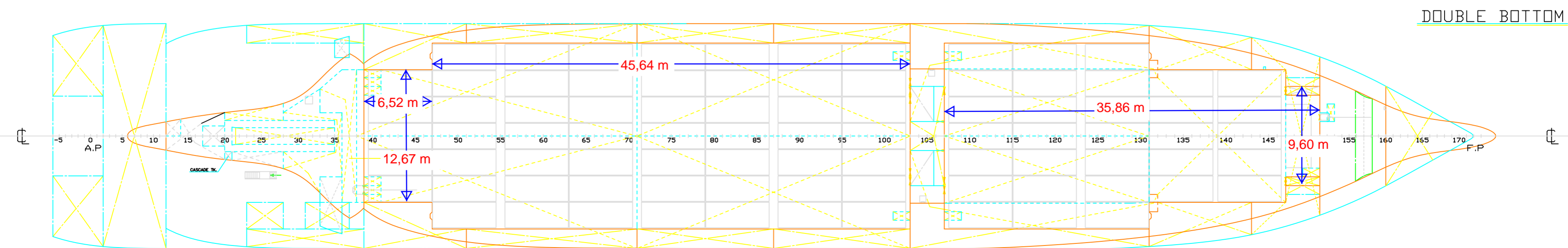
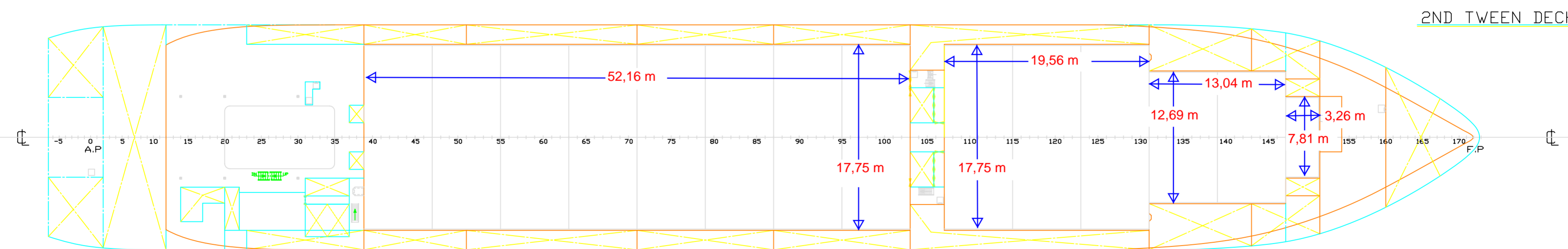
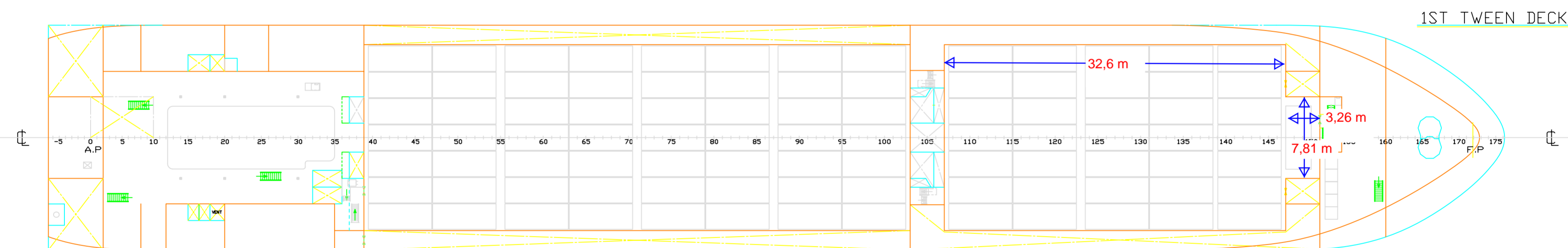
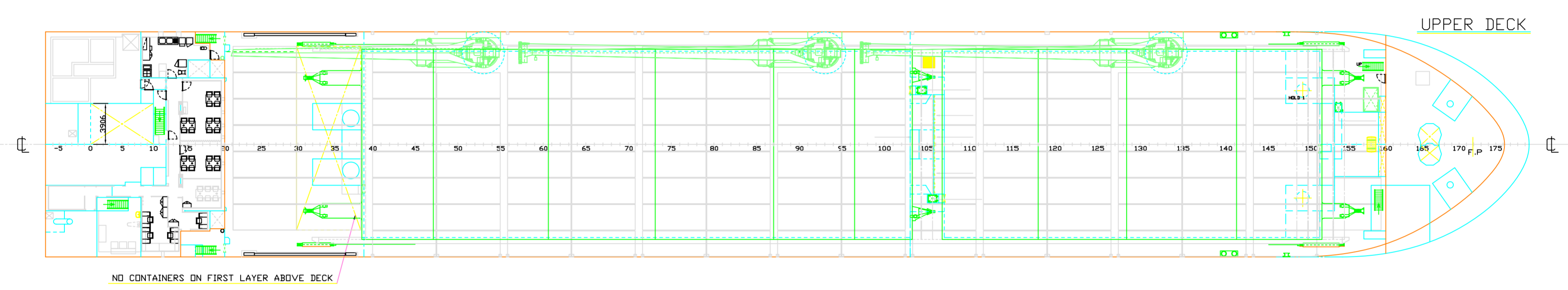
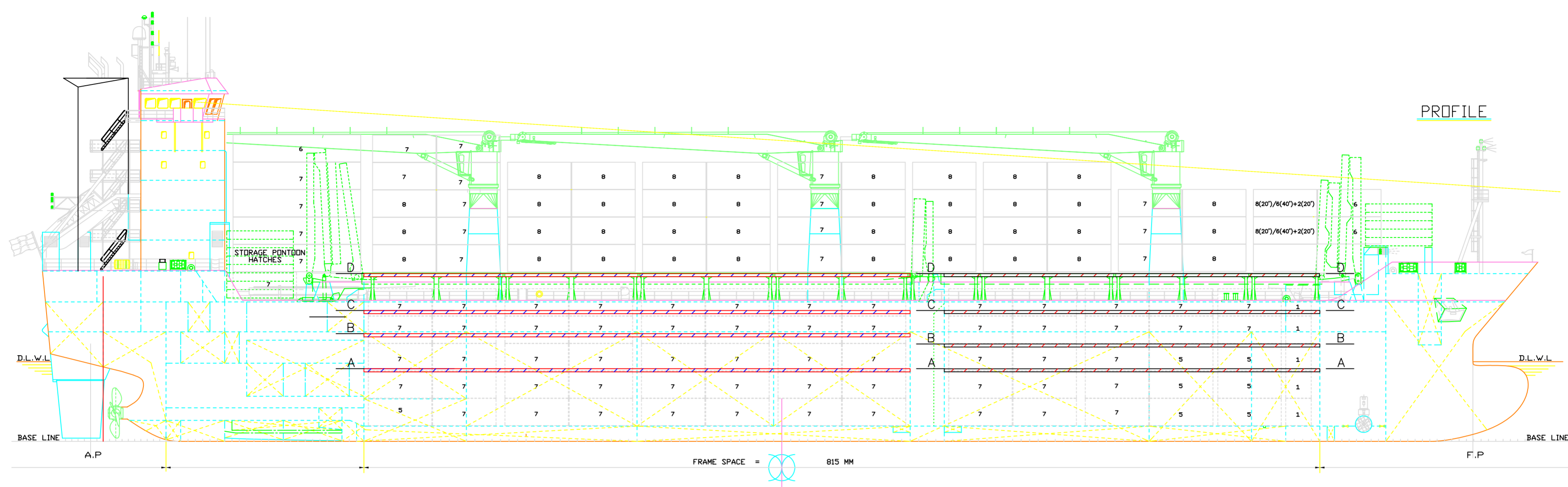
Lifting heights

At 1,8 m outreach	40,2 m
At 3,5 m outreach	39,5 m
At 16,0 m outreach	34,8 m
At 28,0 m outreach	15,9 m

All details are believed to be correct but without guarantee/hws.

OCEAN7 Projects ApS
Jyllandsgade 19A
DK-7000 Fredericia
Denmark

Phone: +45 7070 1311
E-mail: europe@ocean7projects.com



The three positions of tween decks in hold no. 1 and 2

