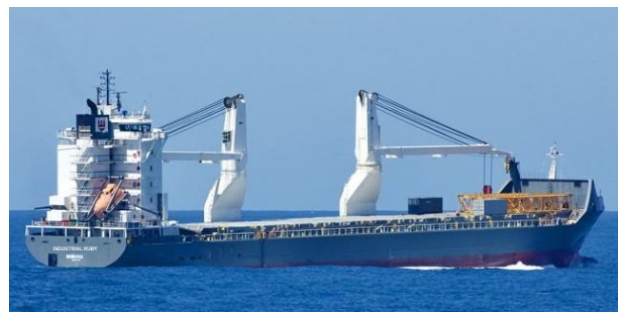




Ship's particulars



M/V 'OCEAN7 RUBY'

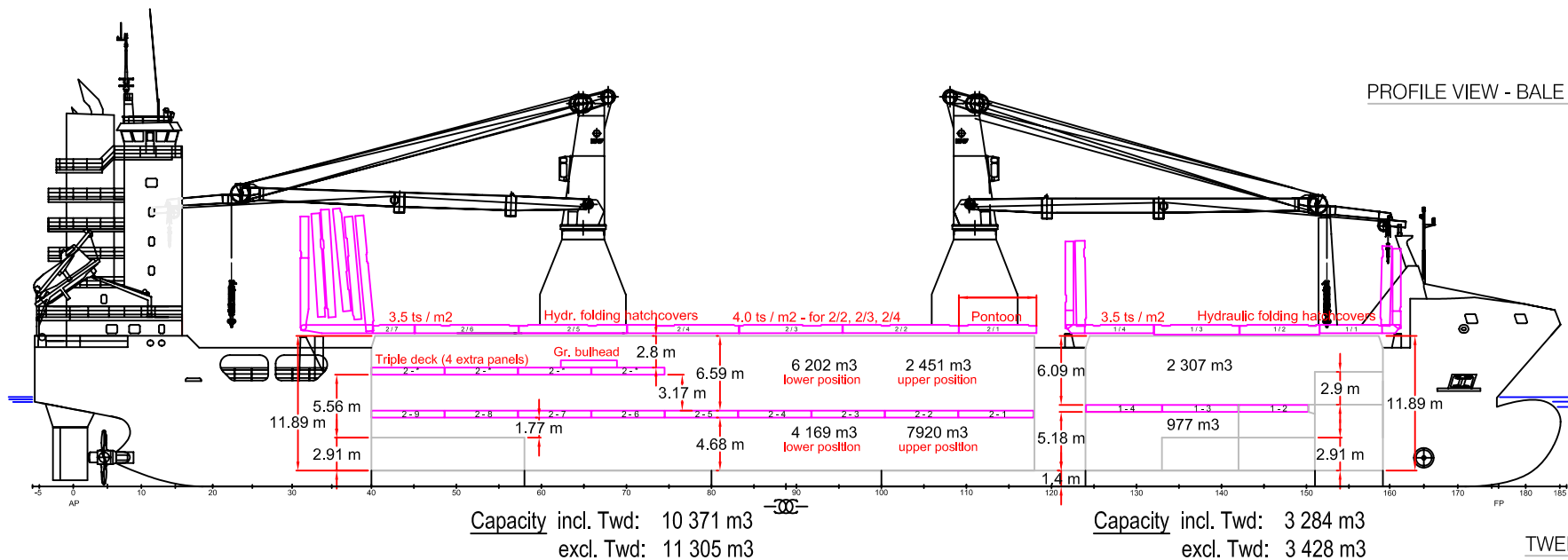
Valid as of 24 Apr 2026

| | | | |
|----------------------------|---|---------------------------------|--|
| Registration | | Deck loads | |
| Call sign | D5AH3 | Tanktop | 15.0 mt/m ² |
| IMO number | 9277292 | Tween deck pontoons | 3.0 mt/m ² |
| Port of registry | Monrovia | Hatch covers (HC) | 3,5 mt/m ² |
| Flag state | Liberia | HC between cranes | 4,0 mt/m ² |
| Shipyard | Volharding Shipyards | | |
| Year/Place of delivery | 2005/Hoogezand | | |
| Class | DNV-GL | | |
| Class notation | I ✕100 A5 Multi-Purpose DC-ship Equipped for carriage of cont. DBC SOLAS-II-2, Reg.19 ERS IW Strengthened for heavy cargo ✕MC AUT | Hatch cover/Tween deck | |
| P&I Club | Skuld | Type of hatch covers | Hydraulic folding + pontoons |
| | | Tween deck pontoons | 17 removable pontoons (can be used as bulkheads) |
| Tonnage | | Propulsion/Manoeuvring | |
| DWAT | 10.581 mt (incl. Tween decks) | Main Engine | 7.200 kW |
| DWCC | Abt. 9500 mt | Bow thruster | 650 kW |
| Gross tonnage | 8963 | Propeller | Variable pitch propeller |
| Net tonnage | 4522 | Rudder | Free-hanging flap type |
| | | Service speed | 13,75 kn |
| Dimensions | | Bunkers/Ballast capacity | |
| Length over all | 134,52 m | Heavy fuel oil | 719 m ³ |
| Length between p.p. | 125,67 m | Marine gas oil | 318 m ³ |
| Breadth over all | 21,50 m | Lubricating oil | 29 m ³ |
| Breadth moulded | 21,50 m | Fresh water | 136 m ³ |
| Summer draught | 7,95 m | Ballast water | 5701 m ³ |
| Depth moulded | 9.30 m | | |
| Height keel to top mast | 42,20 m | Cargo gear | |
| Hold/hatch sizes | | Cranes on port side | 2 x NMF 250 mt SWL |
| Number of holds/hatches | 2/2 | Load/Outreach | 250 mt/6,5-12,0 m 200 mt/5,5-15,0 m 150 mt/5.5-20,0 m 100 mt/4,0-30,0 m 35 mt/3,0-30,0 m |
| Hold capacities | About 13.875 m ³ /489.995 ft ³ | Tandem operation | 500 mt SWL |
| #1 Hatch cover | 26,26 x 17,38 m | | |
| #1 Hatch opening | 25,50 x 16,90 m | Lifting beam on board | 1 x 18,0 m, WLL 460 mt |
| #1 Tween deck | 20,25 x 13,00/7,80 m | Spreader beams on board | 1 x 12,0 m, WLL 250 mt 2 x 3.0-9.0 m, WLL 250 mt 1 x 20' automatic spreader |
| #1 Lower hold | 20,25 x 13,00/7,80/5,20 m | | |
| #2 Hatch cover | 58,50 x 17,30 m | | |
| #2 Hatch opening | 57,98 x 16,90 m | | |
| #2 Tween deck | 58,50 x 16,90 m | | |
| #2 Lower hold | 58,50 x 16,90/5,20 m | | |
| #1 Tween deck above/under | 6,09/5,18 m | | |
| #2 Tween decks above/under | 2,80/8,47 or 6,59/4,68 m | | |
| Hold height | 11,89 m | | |
| Hatch cover surface | 1.413 m ² | Lifting heights | |
| Tween deck surface | 1.736 m ² | At 6,5 m outreach | 34,0 m |
| Lower hold surface | 1.006 m ² | At 12,0 m outreach | 33,0 m |
| | | At 15,0 m outreach | 31,6 m |
| | | At 20,0 m outreach | 28,2 m |
| | | At 30,0 m outreach | 12,4 m |
| Container capacity | | | |
| Hold capacity | 252 TEU | | |
| Deck capacity | 295 TEU (10 Reefer) | | |
| Total | 547 TEU (464 TEU @ 14 mt) | | |
| Stack weight TEU/FEU | Tank top: 90/120 mt Hatch cover: 40/60 mt | | |
| TEU slots for IMO class 1 | All on deck, class 1.4S in holds | | |

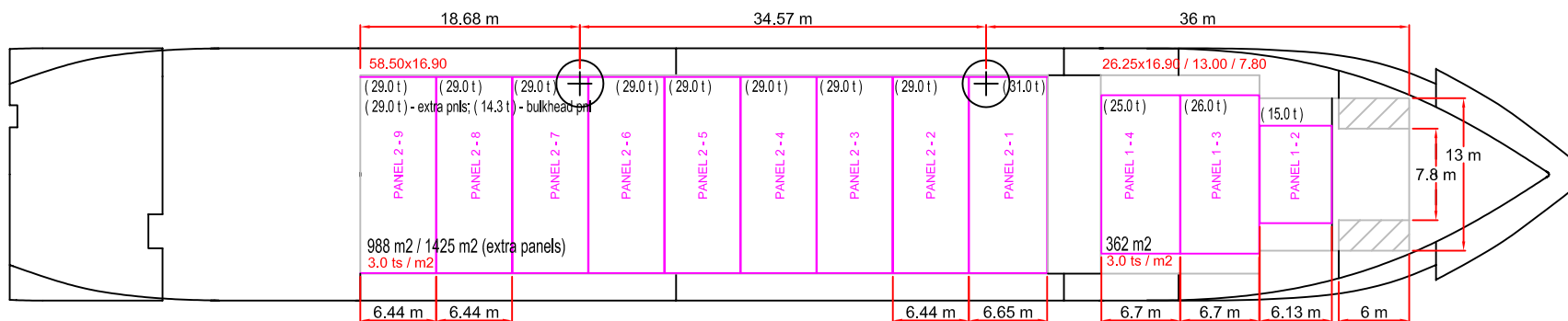
All details are believed to be correct but without guarantee/hws.

Phone: +45 70 70 13 11
E-mail: europa@ocean7projects.com
Web: <http://ocean7projects.com>

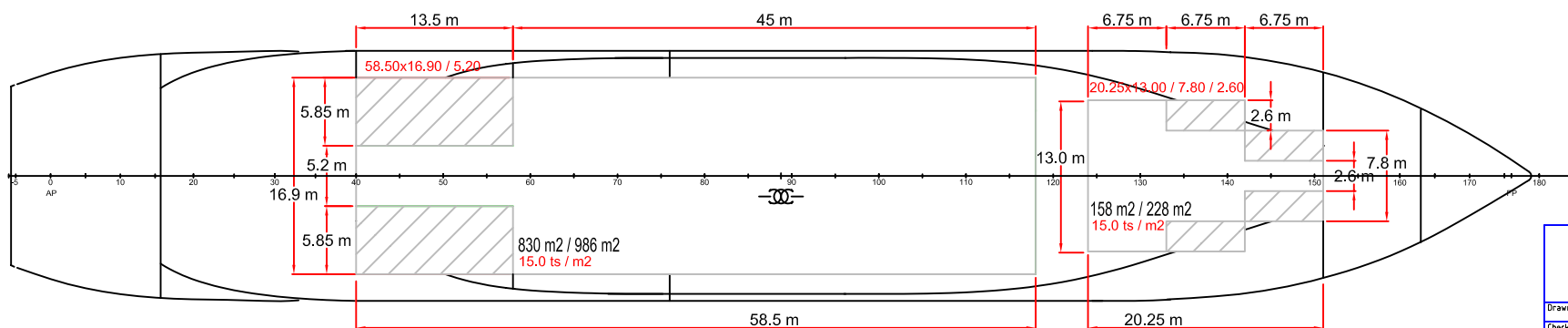
PROFILE VIEW - BALE CAPACITY



TWEEN DECKS

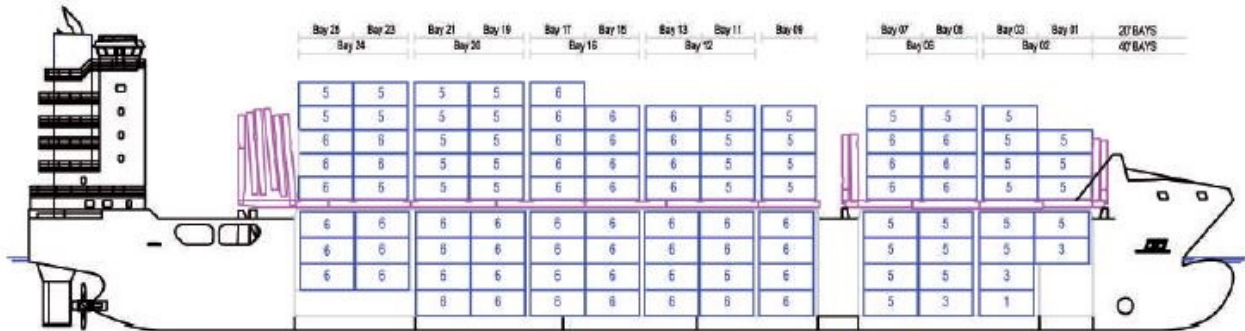


TANKTOP



| | | | |
|-------------------------|------------------|-----------------|----------------------------|
| Title: Infosheet R-Type | | | |
| Status: | | | |
| Drawn by: RT | Date: 04.09.2012 | Req by: RS | |
| Checked by: OS | Date: 04.09.2012 | | |
| Scale: NTS | Format: A4 | Sht: 1 Of: 2 | Drawing Number: 12-R0-INFO |

CONTAINER ARRANGEMENT



LIFTING DIAGRAM

CRANE No.1,2 SWL 250 mt

