



## M/V 'PELAGICA'

Valid as of 21 Feb 2022

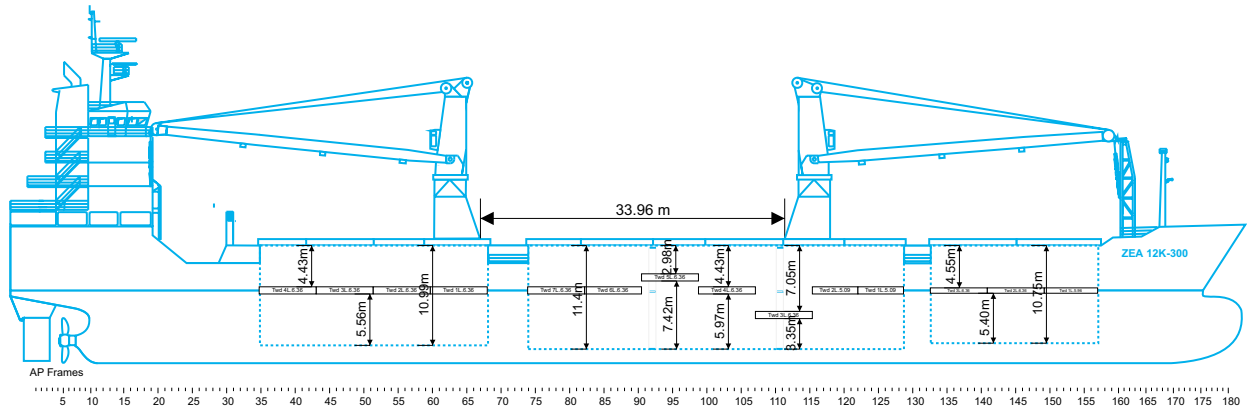
<b>Registration</b>		<b>Deck loads</b>	
Call sign	9V8834	Tanktop	16,0 mt/m <sup>2</sup>
IMO number	9453781	#1 + #2 upper tween deck	2,5 mt/m <sup>2</sup>
Port of registry	Singapore	#2 lower/mid tween deck	4,0 mt/m <sup>2</sup>
Flag state	Singapore	#3 hold	4,0 mt/m <sup>2</sup>
Shipyard	Sanfu Shipyard	Hatch covers	1,75 mt/m <sup>2</sup>
Year/Place of delivery	2010/PRC		
Class	Korean Register	<b>Hatch covers/Tween deck</b>	
Class notation	KRS1 – Cargo ship, General Dry Cargo IA Clean1 IWS CDG IHM LG LI KRM1 – UMA BWT	Type of hatch covers	18 hydr./foldable covers
		Tween deck pontoons	3+7+4 = 14 removable panels
P&I Club	West of England Ship Owners	Grain bulkheads made of tween deck panels	2 positions in hold #2
		<b>Propulsion/Maneuvering</b>	
<b>Tonnage</b>		Main Engine	5400 kW
DWAT	12.580 mt	Bow thruster	500 kW
DWCC	Abt. 11.000 mt	Propeller	Balanced
Gross tonnage	9.627	Rudder	Controllable Pitch Propeller
Net tonnage	4.261	Service speed	13,0 kn
		<b>Bunkers/Ballast capacity</b>	
<b>Dimensions</b>		Heavy fuel oil	955 m <sup>3</sup>
Length over all	138,50 m	Marine gas oil	152 m <sup>3</sup>
Length between p.p.	130,71 m	Fresh water	148 m <sup>3</sup>
Breadth over all	21,00 m	Ballast water	4.932 m <sup>3</sup>
Breadth moulded	21,00 m		
Summer draught	8,00 m	<b>Cargo gear</b>	
Depth moulded	11,00 m	Cranes on port side	2 x NMF x 150 mt SWL
Height keel to top mast	39,38 m	Load/Outreach	150 mt/4,5 – 16,0 m 120 mt/4,5 – 19,0 m 95 mt/4,0 – 24,0 m 70 mt/3,5 – 33,0 m
		Tandem load	300 mt SWL
<b>Hold/hatch sizes</b>		Lifting beam on board	1x18 m 300 WLL
Number of holds/hatches	3/3	Spreader beams on board	2 of each: 9,5/6,5/3,5 m 150 mt WLL
Hold capacity	About 15.953 m <sup>3</sup> /563.375 ft <sup>3</sup>	<b>Lifting heights</b>	
#1 Hatch coaming/Lower hold	18,72 x 15,00/10,00 m		
#2 Hatch coaming/Lower hold	42,00 x 17,50 m		
#3 Hatch coaming/Lower hold	25,50 x 17,50/14,60 m		
Weather deck dimensions	104,05 x 17,50 m		
#1, #2 and #3 Hold heights	10,75/11,40/10,99 m		
#1 Heights above/below T/D	4,55/5,40 m		
#2 Heights above/below T/D	7,05/3,55 m or 4,43/5,97 m or 2,98/7,42 m		
#3 Heights above/below T/D	4,43/5,56 m		
Loading area under deck	2.856 m <sup>2</sup>		
Loading area on deck	1.463 m <sup>2</sup>		
<b>Container capacity</b>			
Hold capacity	300 TEU		
Deck capacity	300 TEU (no reefer)		
Total	600 TEU		
Stack weight TEU/FEU	Tanktop: 96/120 mt Hatchcovers: 50/65 mt		
TEU slots for IMO class 1.1-1.6	On hatches and hold #1		
1.4S	On deck and all holds		

*All details are believed to be correct but without guarantee/HWS*

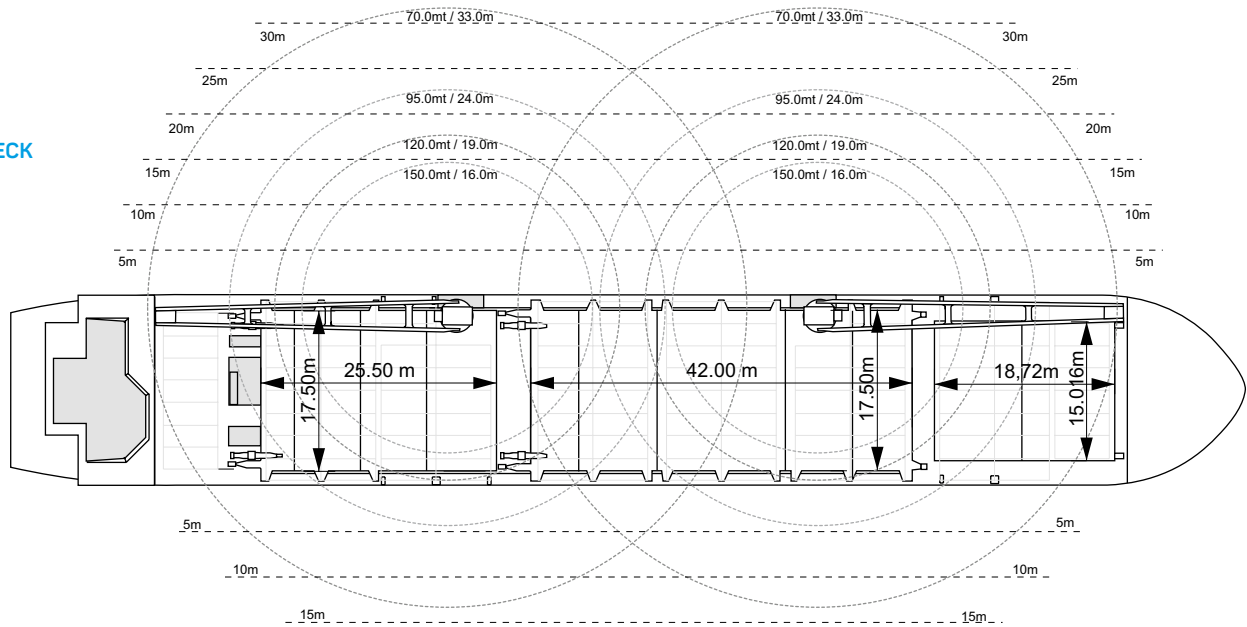
OCEAN7 Projects ApS  
Jyllandsgade 19A  
DK-7000 Fredericia  
Denmark

Phone: +45 7070 1311  
E-mail: europe@ocean7projects.com

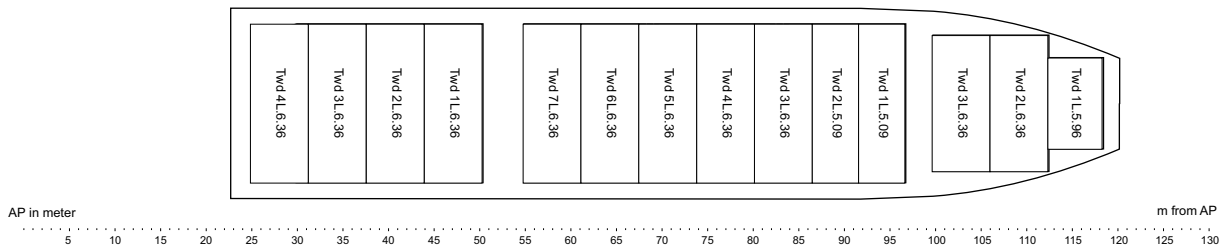
SIDE VIEW



MAIN DECK



TWEENDECK



HOLDS & DOUBLE BOTTOM

