



**M/V 'THUNDER BIRD'**

Valid as of 01 May 2020

<b>Registration</b>	
Call sign	OWDG2
IMO number	9318943
Port of registry	Korsør
Flag state	Denmark
Shipyard	Tianjin Xingang Shipyard
Year/Place of delivery	2004/Tianjin, China
Class	DNV-GL
Class notation	I ⊗ 100 A5 E Multi-purpose dry cargo ship Equipped for carriage of cont. SOLAS-II-2, Reg.19 G Strengthened for Heavy cargo ⊗ MC E AUT
P&I Club	Gard P & I (Bermuda) Ltd.
<b>Tonnage</b>	
Displacement	12377 mt
DWAT	8132 mt
DWCC	Abt. 7200 mt
Gross tonnage	7002
Net tonnage	3375
<b>Dimensions</b>	
Length over all	119.80 m
Length between p.p.	113.75 m
Breadth over all	20.20 m
Breadth moulded	20.20 m
Summer draught	7.59 m
Depth moulded	9.80 m
Height keel to top mast	39.40 m
<b>Hold/hatch sizes</b>	
Number of holds/hatches	2/2
Hold capacity	About 11069 m <sup>3</sup> /390898 ft <sup>3</sup>
#1 Lower hold dimensions	18.85 x 9.94/5.00 m
#2 Lower hold dimensions	52.00 x 16.10 m
# 1 Hatch and Tween deck	18.85 x 15.15/9.95/5.00 m
# 2 Hatch and Tween deck	52.00 x 16.10 m
Hold height	10.80 m
# 1 Tanktop -> Tween deck	4.95 m
Tween deck -> Hatch cover	5.05 m
# 2 1 <sup>st</sup> Tanktop -> Tween deck	4.43 m
Tween deck -> Hatch cover	5.57 m
#2 2 <sup>nd</sup> Tanktop -> Tween deck	6.50 m
Tween deck -> Hatch cover	3.50 m
Hold floor surface	127 + 847 m <sup>2</sup>
Deck floor surface	964 m <sup>2</sup>
<b>Container capacity</b>	
Hold capacity	238 TEU
Deck capacity	361 TEU (36 TEU Reefer)
Total	599 TEU
Stack weight TEU/FEU	Tanktop: 100/120 mt Hatchcovers: 60/80 mt
TEU slots for IMO class 1	All on deck and in holds

<b>Deck loads</b>	
Tanktop	16.0 mt/m <sup>2</sup>
Tween deck – hold no. 1	2.5 mt/m <sup>2</sup>
Tween deck – hold no. 2	3.0 mt/m <sup>2</sup>
Hatch covers	2.5 mt/m <sup>2</sup>
<b>Hatch covers/Tween deck</b>	
Type of hatch covers	3 + 8 removable pontoons
Tween deck pontoons	3+7 removable panels
<b>Propulsion/Maneuvering</b>	
Main Engine	6300 kW
Bow thruster	500 kW
Propeller	Variable pitch propeller
Rudder	Mariner flap type
Service speed	14.5 kn
<b>Bunkers/Ballast capacity</b>	
Heavy fuel oil	724 m <sup>3</sup>
Marine gas oil	105 m <sup>3</sup>
Lubricating oil	35 m <sup>3</sup>
Fresh water	141 m <sup>3</sup>
Ballast water	3830 m <sup>3</sup>
<b>Cargo gear</b>	
Cranes on port side	2 x NMF 250 mt SWL
Load/Outreach	250 mt/4.5-12.0 m 200 mt/4.5-15.0 m 150 mt/4.5-20.0 m 100 mt/4.5-26.0 m 35 mt/4.5-34.5 m
Tandem load	500 mt SWL
Lifting beam on board	2 x 15.1 m, WLL 237 mt
Spreader beams on board	6 x 2.5-8.2 m, WLL 250 mt (configurable)
<b>Lifting heights</b>	
At 2.5 m outreach	33.1 m
At 4.5 m outreach	32.9 m
At 12.0 m outreach	30.3 m
At 15.0 m outreach	28.5 m
At 20.0 m outreach	23.9 m
At 26.0 m outreach	7.3 m

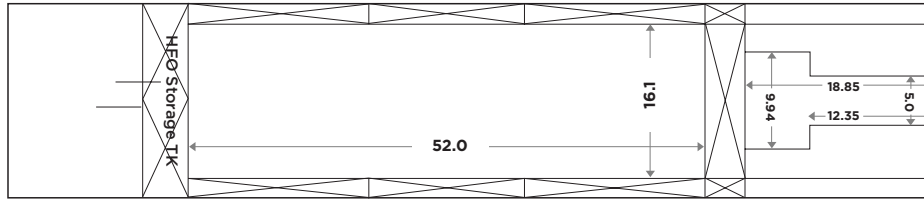
*All details are believed to be correct but without guarantee.*

OCEAN7 Projects ApS  
Jyllandsgade 19A  
DK-7000 Fredericia  
Denmark

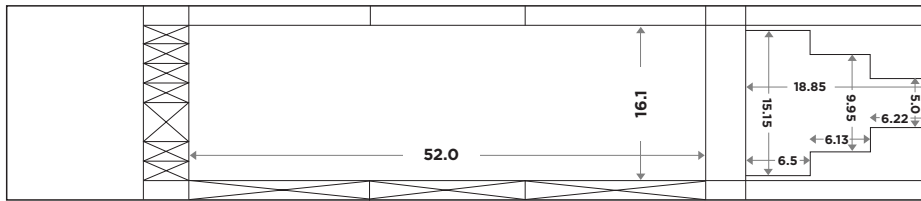
Phone: +45 7070 1311  
E-mail: denmark@ocean7projects.com

# THUNDER BIRD

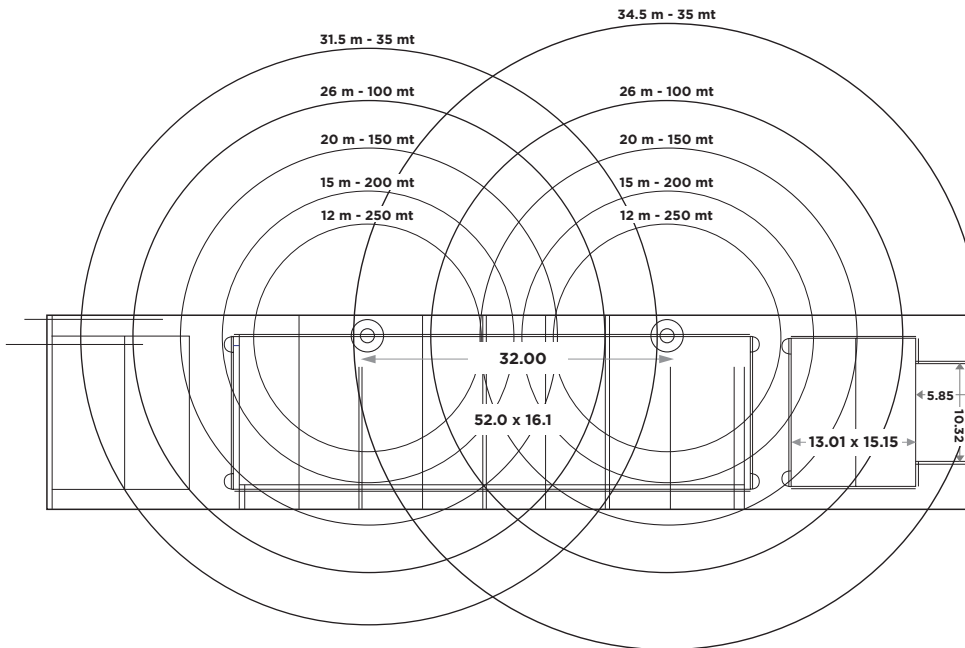
TANK TOP



TWEEN DECK



WEATHER DECK



HOLD 1 HOLD 2

